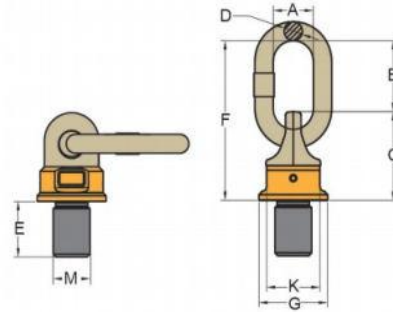


SUPER LIFTING POINTS

Swivel Lifting Point SLP



Part No.	Working Load Tonnes	Thread			Dimensions							Torque in Nm	Weight Kg.
		M(mm)	E (mm)	Pich(DIN13)	G	C	K	F	D	B	A		
SLP-M6	0.3	M6	12	1.25	36.5	48	34	101	13	53	35	10-40	0.3
SLP-M10	0.5	M10	18	1.5	36.5	48	34	101	13	53	35	10-40	0.4
SLP-M12	0.7	M12	18	1.75	36.5	48	34	101	13	53	35	15-40	0.4
SLP-M16	1.4	M16	20	2	36.5	48	34	101	13	53	35	45-130	0.44
SLP-M20	2.5	M20	30	2.5	52	68	46	127	16	59	35	100-170	1.0
SLP-M24	4.0	M24	30	3	57	75	50	148	19	73	40	190-280	1.5
SLP-M30	6.7	M30	35	3.5	70	95	65	163	19	68	40	230-400	2.4
SLP-M36	10.0	M36	50	4	81	106	75	201	22	95	50	270-600	3.8
SLP-M42	12.5	M42	50	4.5	81	106	75	201	22	95	50	270-700	3.9
SLP-M48	12.5	M48	72	5	81	106	75	201	22	95	50	270-700	4.4
SLP-M56	18	M56	78	5.5	104	127	95	256	32	129	70	350-900	8.1
SLP-M64	20	M64	110	6	104	127	95	256	32	129	70	350-900	9.3

- Pivots to 230°, rotates through 360° due to its unique ball bearing design. Design factor 4:1 in all directions.
- Manufactured from forged alloy steel, quenched and tempered.
- Manufactured and tested in accordance with EN1677-1.
- Certified by DGUV GS-OA-15-04.
- Load rated parts are 100% magnaflux crack detected.
- Individual forged parts and batch code links to Test Certificate sheet.
- Bolt are Metric thread (ASME / ANSI B18.3.1M).
- Proof tested to 2.5 times the WLL.
- Fatigue rated to 1.5 times the WLL.
- All YOKE Super points meet or exceed all the requirements of ASME B30.26.
- Easy to attach or dismantle due to the forged hexagon shaped body of the Super Point.
- Capable of rotating under load. Do not turn continuously in 90 degree direction at full load.

