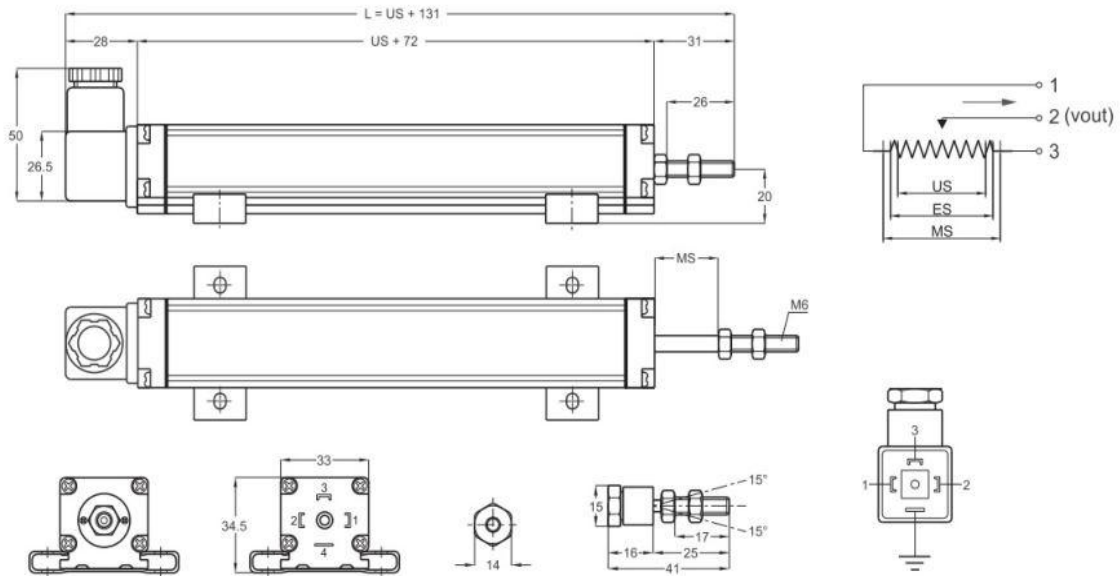


Transducer with Rod



Technical data	
Measurement Stroke	30 to 1250 mm
Linearity	± %0,05
Repeatability	< 0,01 mm
Resolution	Infinite
Resistance	5 kOhm
Resistance Tolerance	±%20
Load Resistance	100 kOhm min.
Recommended Cursor Current	< 1 µA
Permissible Applied Voltage	28VDC max.
Electrical Connections	4 pole hydraulic type connector
Displacement Speed	<5 m/s
Mechanical Life	100 million cycles
Case Dimensions	33 mm x 33 mm
Case Material	Anodized aluminium
Rod Material	Stainless Steel
Rod Diameter	Ø 6 mm
Mechanical Fixing	Variable brackets
IP Degree	IP 65
Operating Temperature	-20°C ... +80°C
Storage Temperature	-30°C ... +90°C



Part No.	US (usefull stroke)	MS (Mechanical stroke)	L (total length)	
MPT100	100	103	231	1
MPT150	150	153	281	1
MPT175	175	178	306	1
MPT200	200	203	331	1
MPT300	300	303	431	1
MPT400	400	403	531	1
MPT500	500	503	631	1