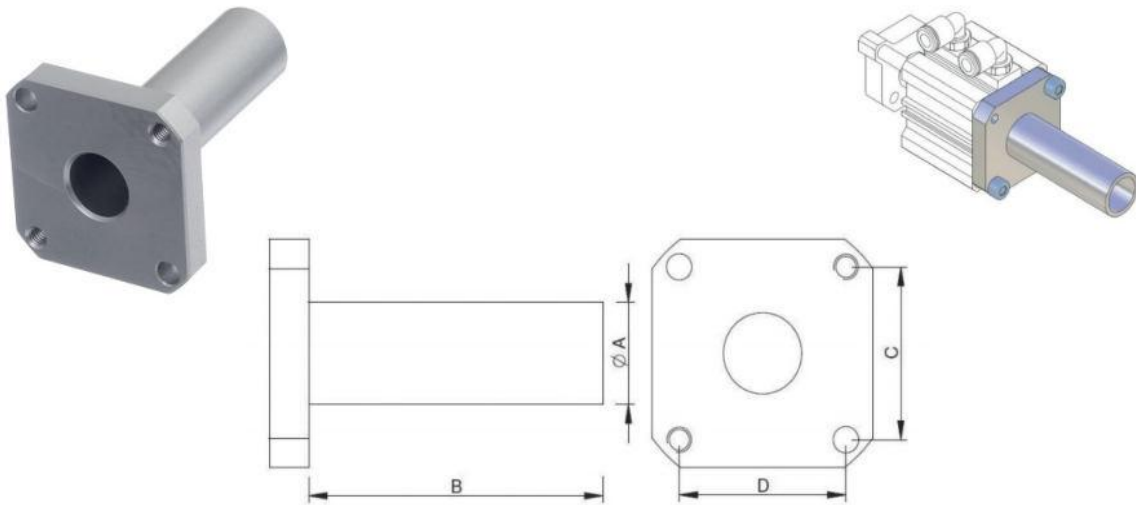


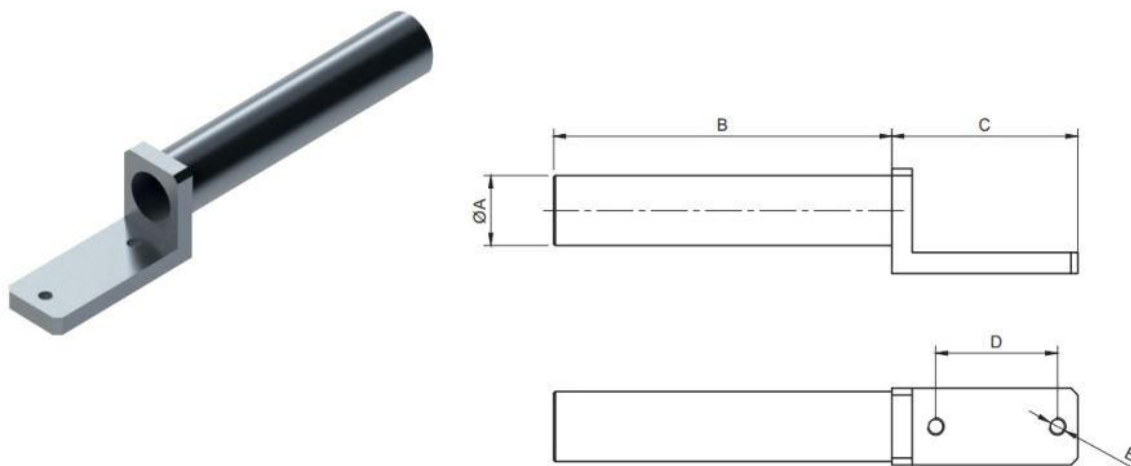
MB.CC. – Mounting Bracket for Compact Cylinder



Part No.	A	B	C	D	REF	Weight (g)
MB.CC12.1430	14	30	15,5	15,5	Ø12	19
MB.CC20.1440	14	40	25,5	25,5	Ø20	32
MB.CC32.2060	20	60	34	34	Ø32	55
MB.CC32.2090	20	90	34	34	Ø32	74

Material: Aluminium.
 Surface: Silver anodized.
 REF: Suitable for cylinders CCAQ and CCTQ.

MB.ZC. – Mounting Bracket for Compact Cylinder



Part No.	A	B	C	D	E	Weight (g)
MB.ZC12.1060	10	60	38	22	M3	14
MB.ZC20.2080	20	100	55	36	M5	55
MB.ZC32.20100	20	100	68	48	M5	58