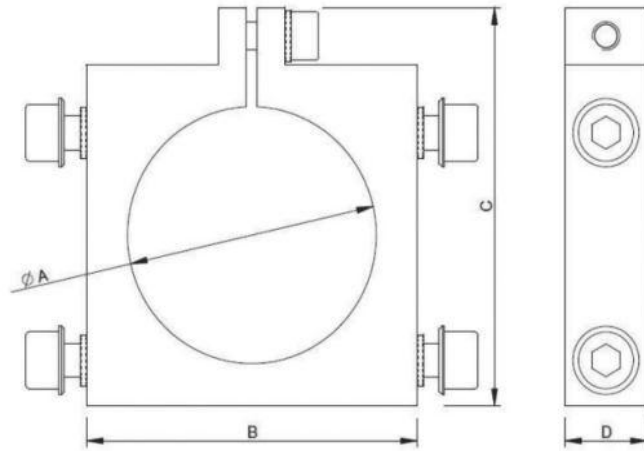


**NIPPER MOUNTS**

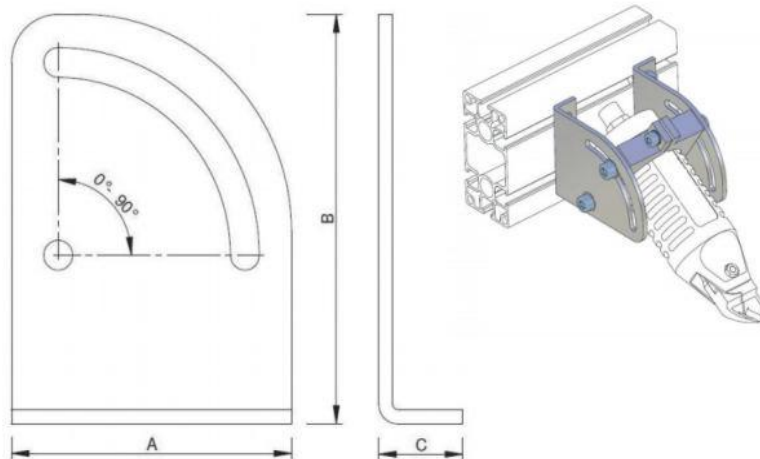
**NSB.A – Swivel Mounting Bracket for Air Nippers - Part A**



Part No.	A	B	C	D	REF	Weight (g)
NSB.30A	30	45	55	15	GT-NR5	87
NSB.36A	36	50	62	15	GT-NR10L	97
NSB.45A	45	60	70	15	GT-NR20/SPT-20R	115
NSB.56A	56	70	85	15	GT-NR30/SPT-30R	136
NSB.75A	75	90	105	15	GT-NR50	188

Material: Aluminium  
Surface: Silver anodized.

**NSB.B – Swivel Mounting Bracket for Air Nippers - Part B**



Part No.	A	B	C	REF	Weight (g)	F
NSB.30B	50	75	18	GT-NR5	84	54
NSB.36B	55	80	18	GT-NR10L	100	60
NSB.45B	60	85	18	GT-NR20/SPT-20R	116	68
NSB.56B	65	90	18	GT-NR30/SPT-30R	134	80
NSB.75B	85	122	28	GT-NR50	246	96

Material: Zinc plated steel.