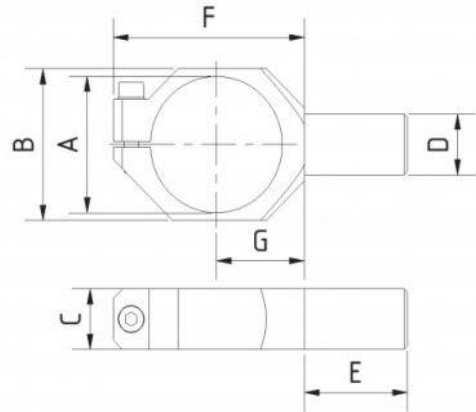


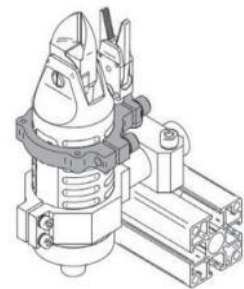
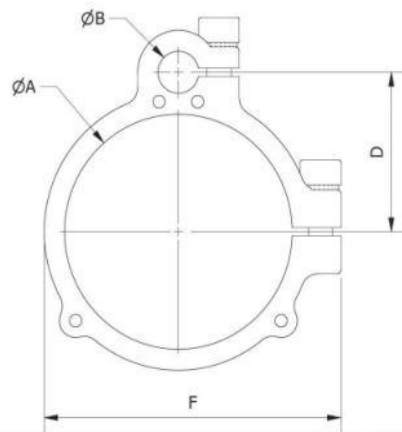
SCH – Mounting Brackets for Air Nippers



Part No.	A	B	C	D	E	F	G	REF	Weight (g)
SCH-05	30	38	20	20	48	54	25	GT-NR5	91
SCH-10	36	43	20	20	48	60	28	GT-NR10L	95
SCH-20	45	52	20	20	48	68	33	GT-NR20/SPT-20R	102
SCH-30	56	54	20	20	48	80	38	GT-NR30/SPT-30R	117
SCH-50	75	83	30	30	50	96	47	GT-NR50	275

Material: Aluminium
Surface: Silver anodized.

NGC. – Nipper / Gripper Combination Clamp



Part No.	A	B	C	D	E	F	REF	Weight (g)
NGC.1010	36	10	10	28	62,8	53	GT-NR10L	27
NGC.2010	45	10	10	32,5	70	62	GT-NR20/SPT-20R	30
NGC.3010	56	10	10	38	81	73	GT-NR30/SPT-30R	43
NGC.5010	75	10	10	47,5	100	92,5	GT-NR50	43

Material: Aluminium.
Surface: Silver anodized.