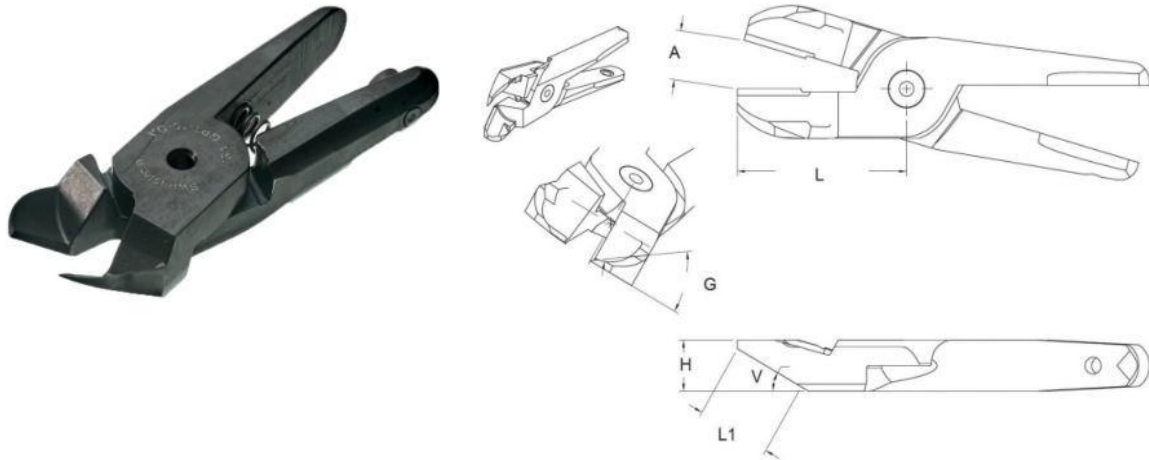


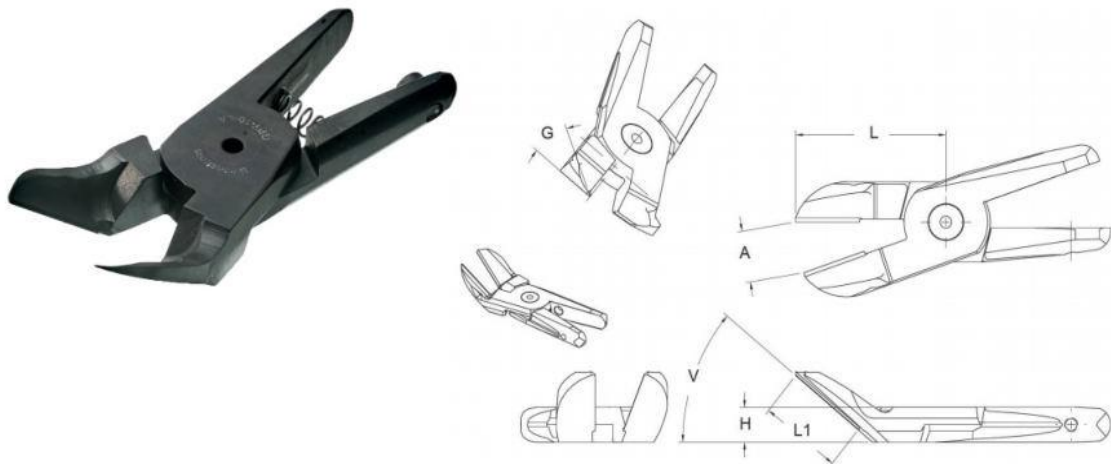
**NIPPER BLADES**

**GPT. – Air Nipper Blades - GPT Series**



Part No.	Size	A	L	L1	H	V	G
GPT-20-DA	20	11	36	15	12	40°	35°
GPT-30-DA	30	16	58	25	17	30°	35°

**GPT. – Air Nipper Blades - GPT Series**



Part No.	Size	A	L	L1	H	V	G
GPT-20-LA	20	17	53	29	12	40°	30°
GPT-30-LA	30	23	83	53	17	30°	30°