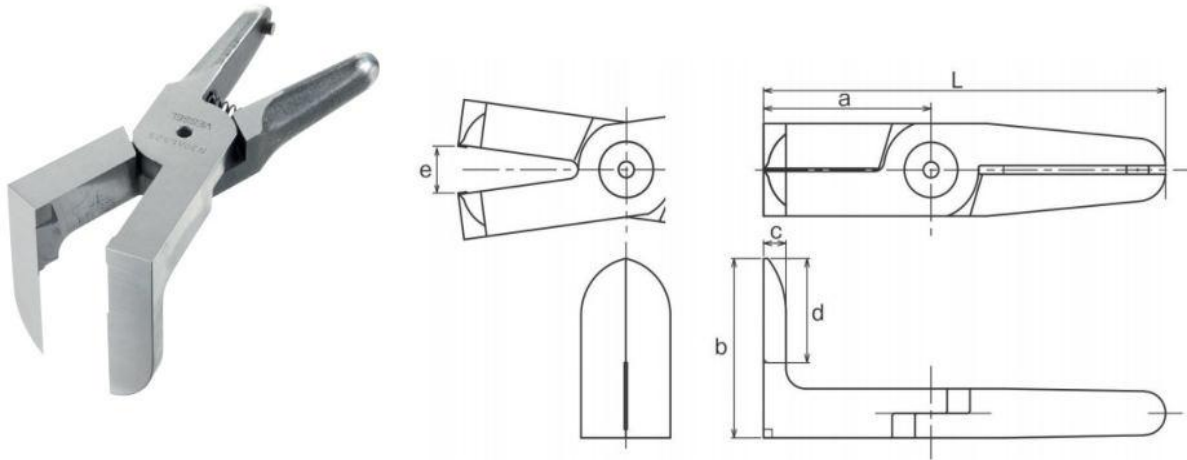


AIR NIPPER BLADES - N SERIES

N.AL – L Blade



Part No.	a	b	c(°)	d: Effective Length	e: Blade Oppening	L	Weight (g)
N30AL525	60	62		36	16	144	520

Material: Special Alloy Steel