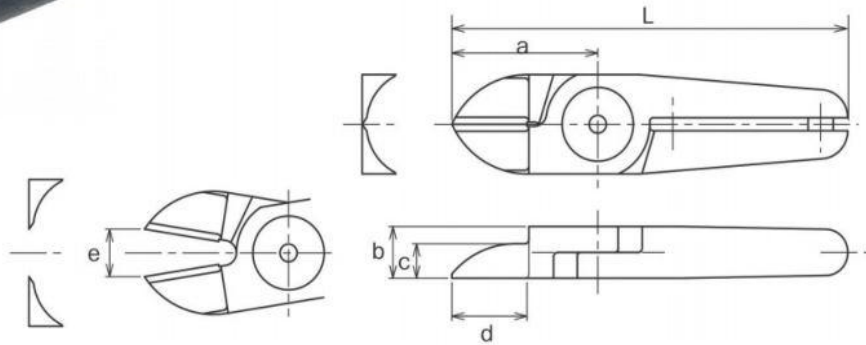


**AIR NIPPER BLADES - N SERIES**

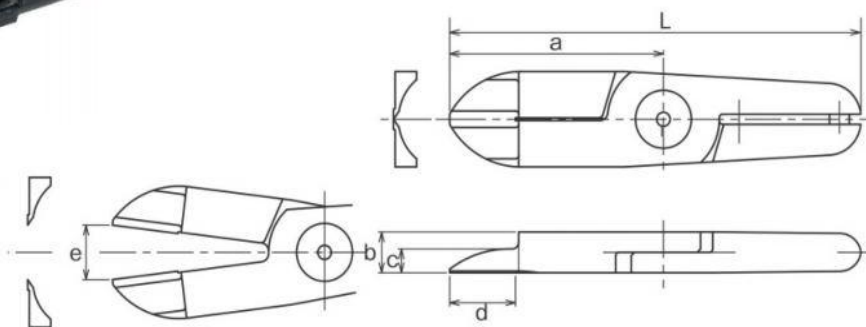
**N.AJ – Straight Blades**



Part No.	a	b	c(°)	d: Effective Length	e: Blade Oppening	L	Weight (g)
N20AJ	35	12	8	18	11	95	125
N30AJ	52	17	8	28	11	136	370

Material: Special Alloy Steel

**N.AJL – Long Straight Blades**



Part No.	a	b	c(°)	d: Effective Length	e: Blade Oppening	L	Weight (g)
N10LAJ	61	12	7	34	10	115	165
N20AJL	65	12	7	20	16	125	230
N30AJL	75	17	8	25	19	159	470

Material: Special Alloy Steel