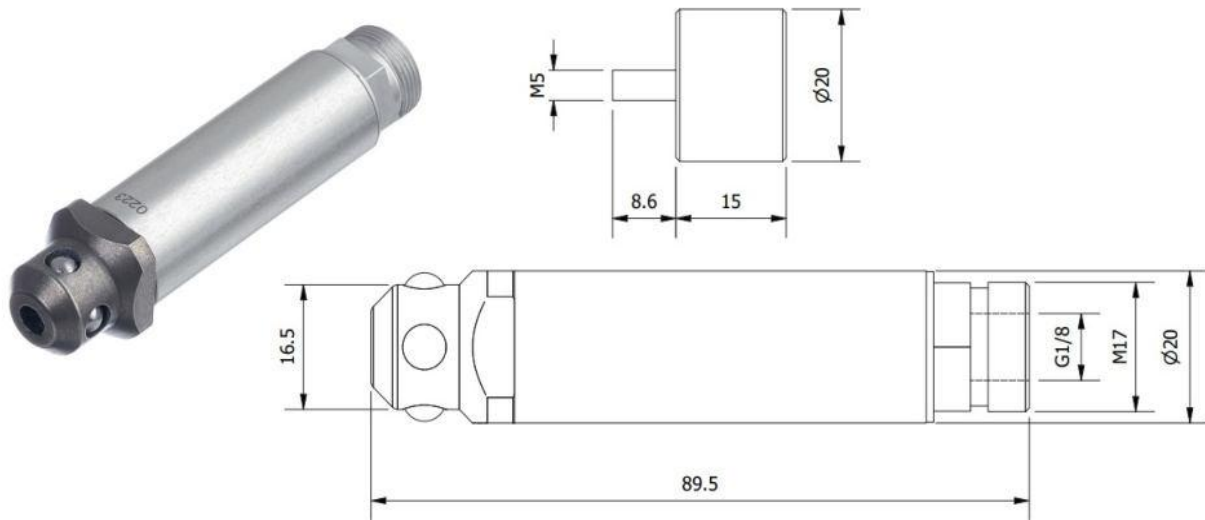


GCLU. – Centering locking unit



Part No.		Closing force (6 bar)	Weight (g)
GCLU.20.G	Gripper side	750N	93
GCLU.20.M	Mould side		60

Single acting
 High gripping force
 ISO H7 tolerance is used for positioning