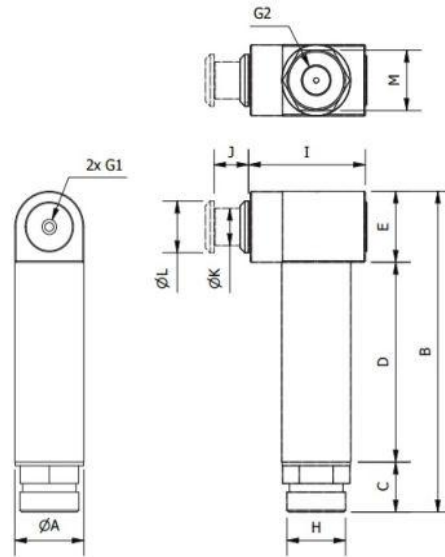


PERPENDICULAR FINGER GRIPPERS

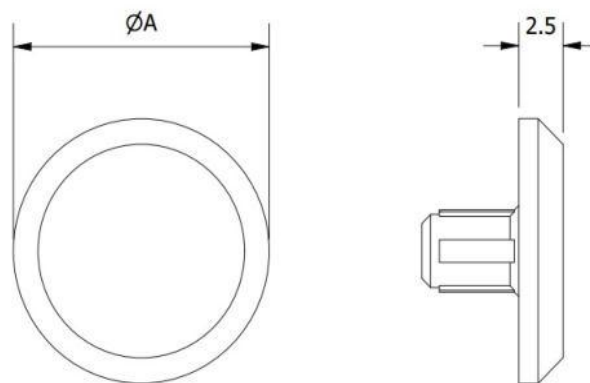
GFP. – Perpendicular Finger Gripper



Part No.	A	Stroke	B	C	D	E	G1	G2	H	I	J	K	L	M	Grip force (6 bar ₀)	Weight
GFP.1406	14	6mm	65	9.5	41.5	14	M5	M5	M12X1	31.5	6	8	10	CH12	63N	47
GFP.2010	20	10mm	89.5	14	56	20	M5	G1/8	M17X1	34	10	10.5	14.5	CH17	115N	115
GFP.3015	30	15mm	131	19	82	30	G1/8	G1/8	M27X1	49	15	14	20	CH27	230N	380

Working Principle: Single acting.
 Working pressure: 6 bar clean, dry air.
 Material: Silver anodised Aluminium.
 Through hole for vacuum to a cup.
 Viton pad for soft contact.

PAD.V. – Viton Pad for Perpendicular Finger Gripper



Part No.	A	REF	Weight (g)
PAD.V.D9.5X2.5	10	GPF.1406	1
PAD.V.D14.5X2.5	14,5	GPF.2010	1
PAD.V.D19.5X3.0	20	GPF.3015	4

Viton Pad.
 Low marking.