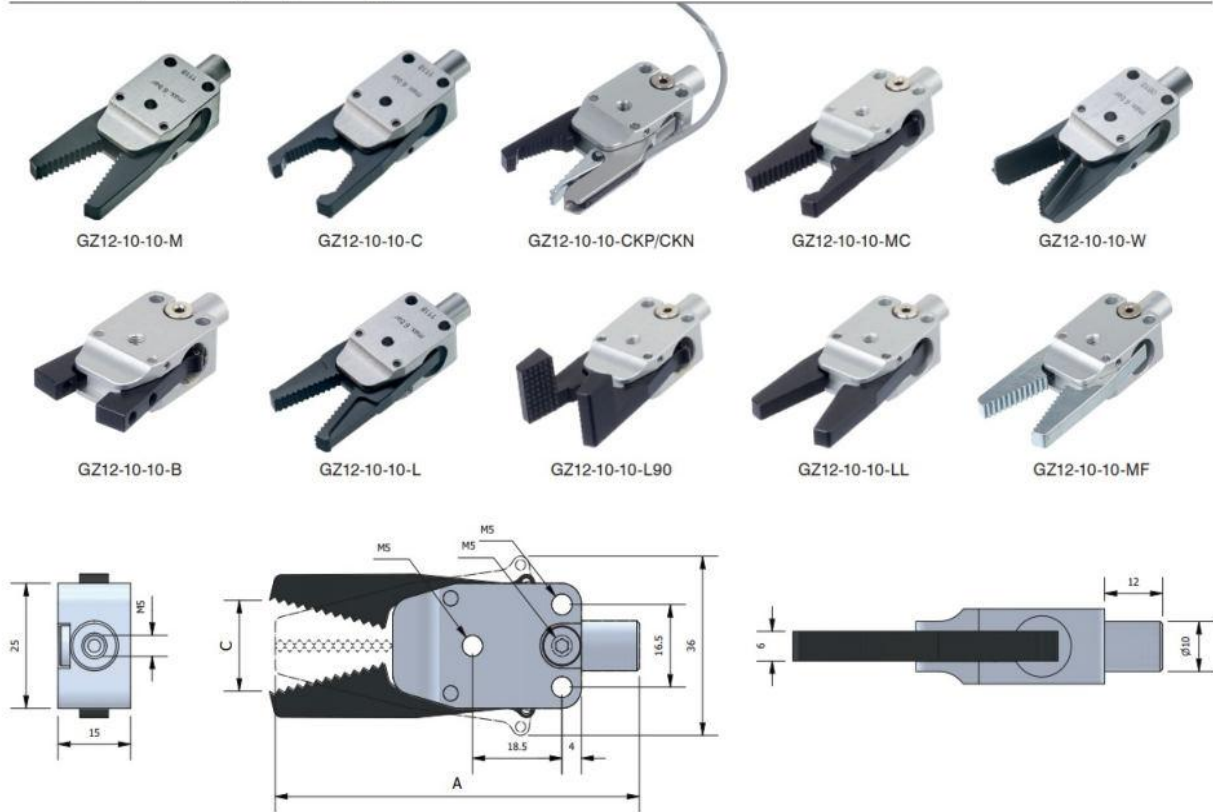


**SMALL SPRUE GRIPPERS**

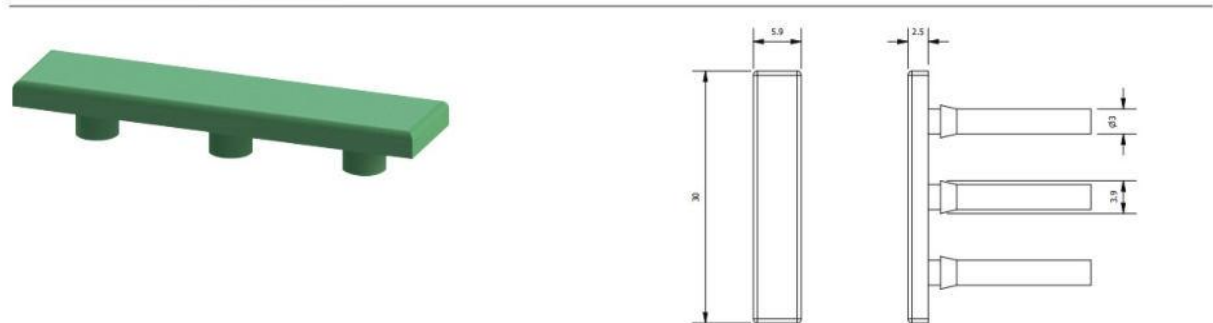
**GZ12-10-10-(Standard) – Sprue Grippers 12-10 Standard Series**



Part No.	C	A	Jaw Type	Sensor	Closing Force (6 bar)	Weight (g)
GZ12-10-10-M	19,5	75	Serrated		30N	40
GZ12-10-10-C	17,9	75	Curved		30N	36
GZ12-10-10-CKP	19	76	Curved	PNP	30N	45
GZ12-10-10-CKN	19	76	Curved	NPN	30N	45
GZ12-10-10-MC	19	75	1 Serrated/1 Curved		30N	37
GZ12-10-10-W	20	75,3	Wide		30N	39
GZ12-10-10-B	13	59,3	Custom		30N	32
GZ12-10-10-L	20	76,5	Diamond Pattern		30N	36
GZ12-10-10-L90	19,3	76	Diamond Pattern - 90°		30N	43
GZ12-10-10-LL	19,8	75,3	Smooth		30N	40
GZ12-10-10-MF	19,6	76,5	Serrated Steel		30N	58

Compressed air in compliance with ISO 8573-1:2010 [7:4:4].  
Maximum Operating Pressure 8 bar.

**GZ-VIT – Jaw Insert Pad - Viton**



Part No.	Material	REF	Weight (g)
GZ-VIT-6	FKM	GZ12-10-8-G	4