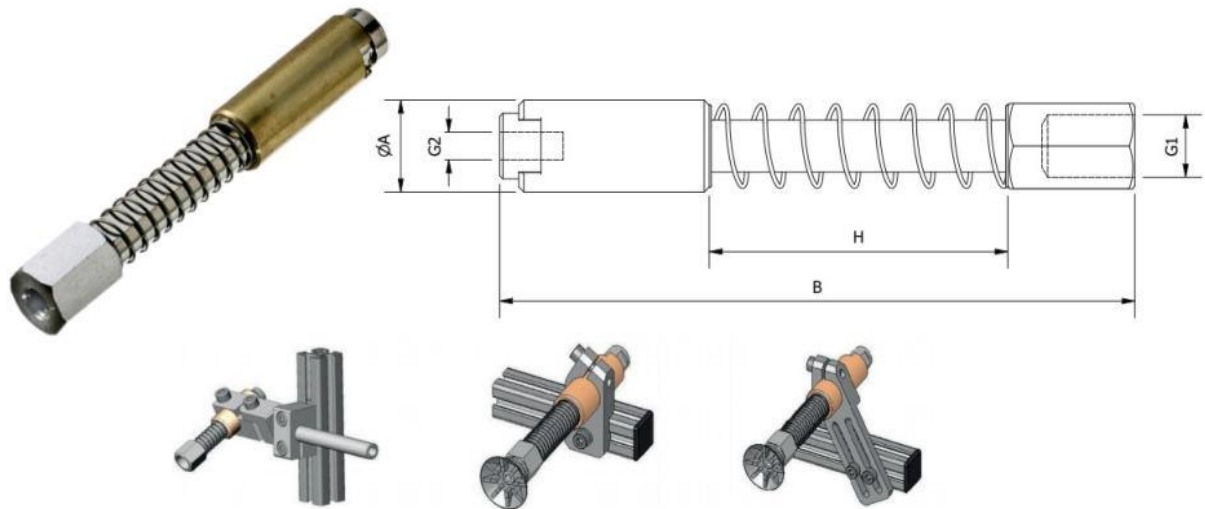


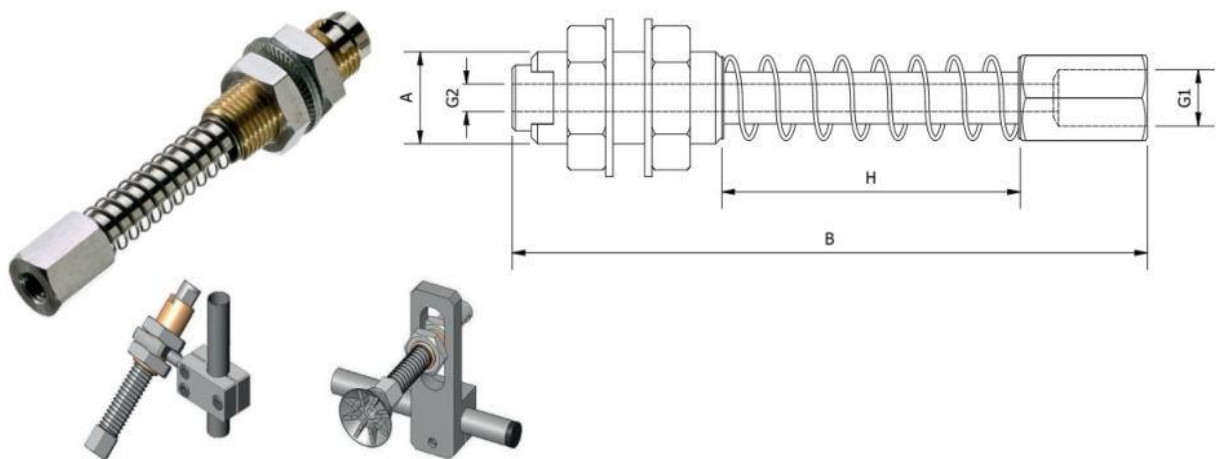
LC. – Level Compensator Smooth Body (Non-rotative)



Part No.	A	B	G1	G2	H	F(N)	Weight (g)
LC.10.20	10	69	M5	M5	20	3,4	26
LC.12.20	12	69	M5	M5	20	18,4	33
LC.14.38	14	100	G1/8	M5	38	23,3	63
LC.20.48	20	125	G1/4	G1/8	48	16,6	155

Spring: Steel.
 Sliding Parts: Chrome-plated Brass.
 Terminal Parts: Anodized Aluminium.

LC.M. – Level Compensator Threaded Body (Non-rotative)



Part No.	A	B	G1	G2	H	F(N)	Weight (g)
LC.M10.20	M10x1	70	M5	M5	20	3,4	36
LC.M12.20	M12x1.25	77	G1/8	M5	20	6	40
LC.M14.38	M14x1.5	100	G1/8	M5	38	23,2	71
LC.M20.48	M20x1.5	125	G1/4	G1/8	48	16,7	189

Spring: Steel.
 Sliding Parts: Chrome-plated Brass.
 Terminal Parts: Anodized Aluminium.