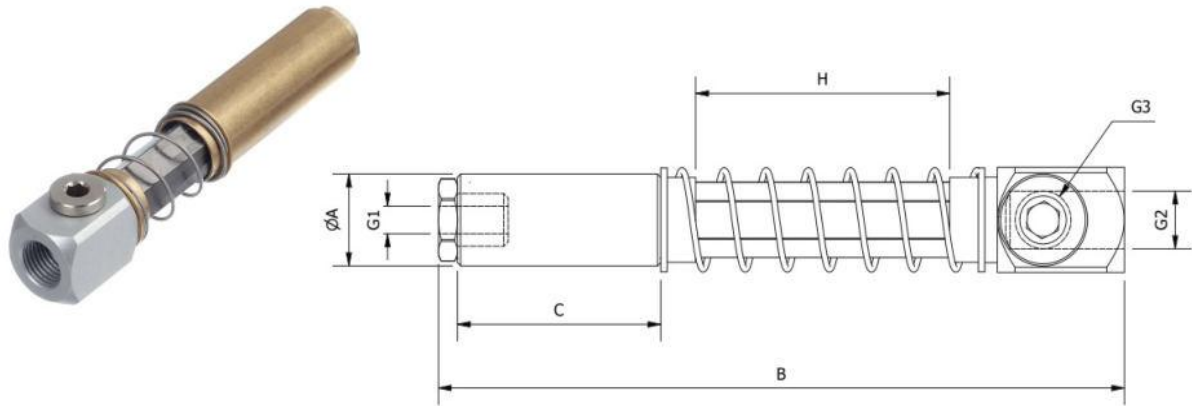


SUSPENSIONS FOR VACUUM CUPS

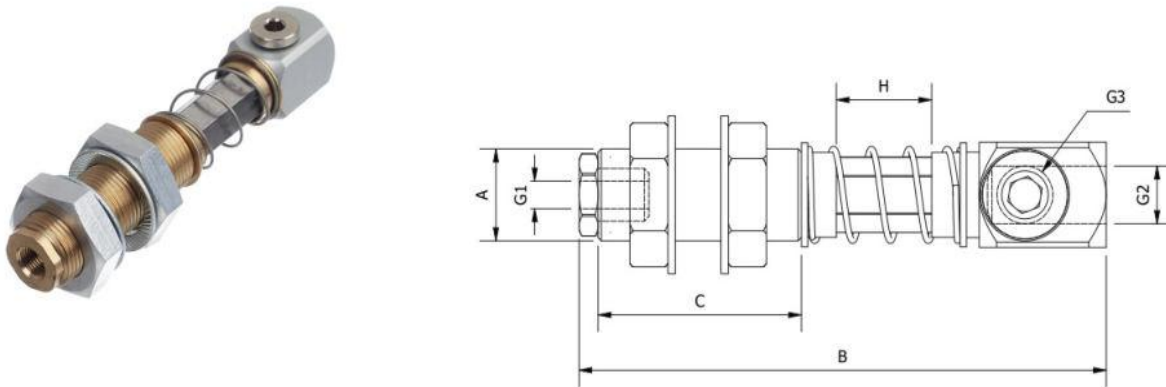
SZN. – Spring Loaded Vacuum Cup Arm Smooth Body (Non-rotative)



Part No.	A	B	C	G1	G2	G3	H	Weight (g)
SZN.1010.0505	10	59	25	M5	M5		10	25
SZN.1030.0505	10	79	25	M5	M5		30	27
SZN.1415.1818	14	83	32	M5	G1/8	G1/8	15	52
SZN.1440.1818	14	108	32	M5	G1/8	G1/8	40	55
SZN.2025.1418	20	121	55	G1/8	G1/4	G1/8	25	137
SZN.2050.1418	20	146	55	G1/8	G1/4	G1/8	50	140

For use with round and oval vacuum cups.
Non Rotative.

SZNG. – Spring Loaded Vacuum Cup Arm Threaded Body (Non-rotative)



Part No.	A	B	C	G1	G2	G3	H	Weight (g)
SZNG.1010.0505	M10x1	59	25	M5	M5	-	10	30
SZNG.1030.0505	M10x1	79	25	M5	M5	-	30	32
SZNG.1415.1818	M14x1.5	83	32	M5	G1/8	G1/8	15	63
SZNG.1440.1818	M14x1.5	108	32	M5	G1/8	G1/8	40	65
SZNG.2025.1418	M20x1.5	121	55	G1/8	G1/4	G1/8	25	170
SZNG.2050.1418	M20x1.5	146	55	G1/8	G1/4	G1/8	50	173

For use with round and oval vacuum cups.
Non Rotative.