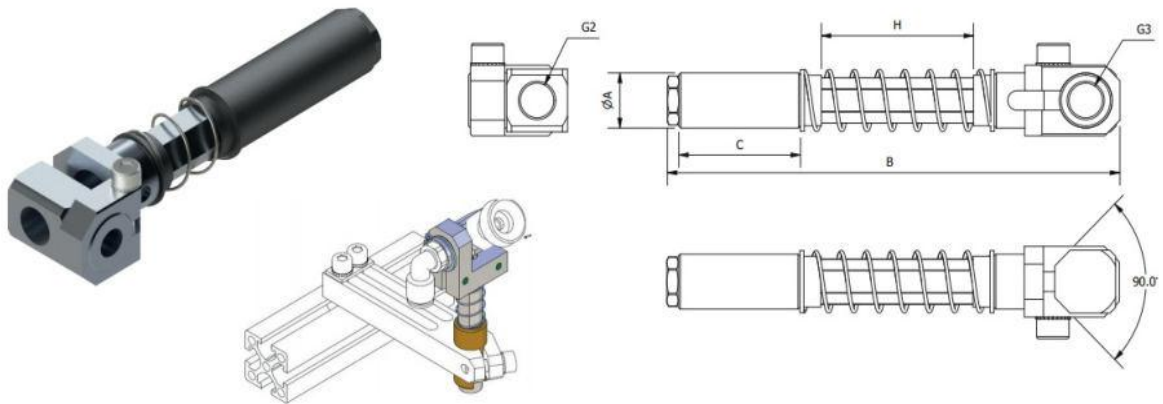


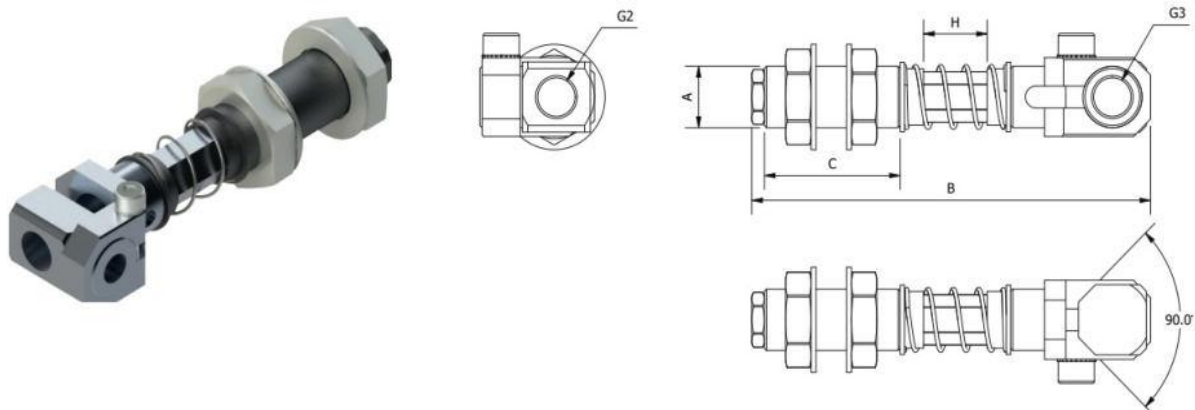
**SZP. – Spring Loaded Vacuum Cup Arm Smooth Body (Non-rotative) Swivel Head**



Part No.	A	B	C	G2	G3	H	Weight (g)
SZP.1010.0505	10	76	25	M5		10	32
SZP.1030.0505	10	96	25	M5		30	35
SZP.1415.1818	14	94	32	G1/8	G1/8	15	67
SZP.1440.1818	14	119	32	G1/8	G1/8	40	72
SZP.2025.1418	20	131	55	G1/4	G1/8	25	171
SZP.2050.1418	20	156	55	G1/4	G1/8	50	187

For use with round and oval vacuum cups.  
 Angle of vacuum cup adjustable between 0° and 90°.  
 Non Rotative.

**SZPG. – Spring Loaded Vacuum Cup Arm Threaded Body (Non-rotative) Swivel Head**



Part No.	A	B	C	G2	G3	H	Weight (g)
SZPG.1010.0505	M10x1	76	25	M5	-	10	39
SZPG.1030.0505	M10x1	96	25	M5	-	30	44
SZPG.1415.1818	M14x1.5	94	32	G1/8	G1/8	15	70
SZPG.1440.1818	M14x1.5	119	32	G1/8	G1/8	40	90
SZPG.2025.1418	M20x1.5	131	55	G1/4	G1/8	25	188

For use with round and oval vacuum cups.  
 Angle of vacuum cup adjustable between 0° and 90°.  
 Non Rotative.