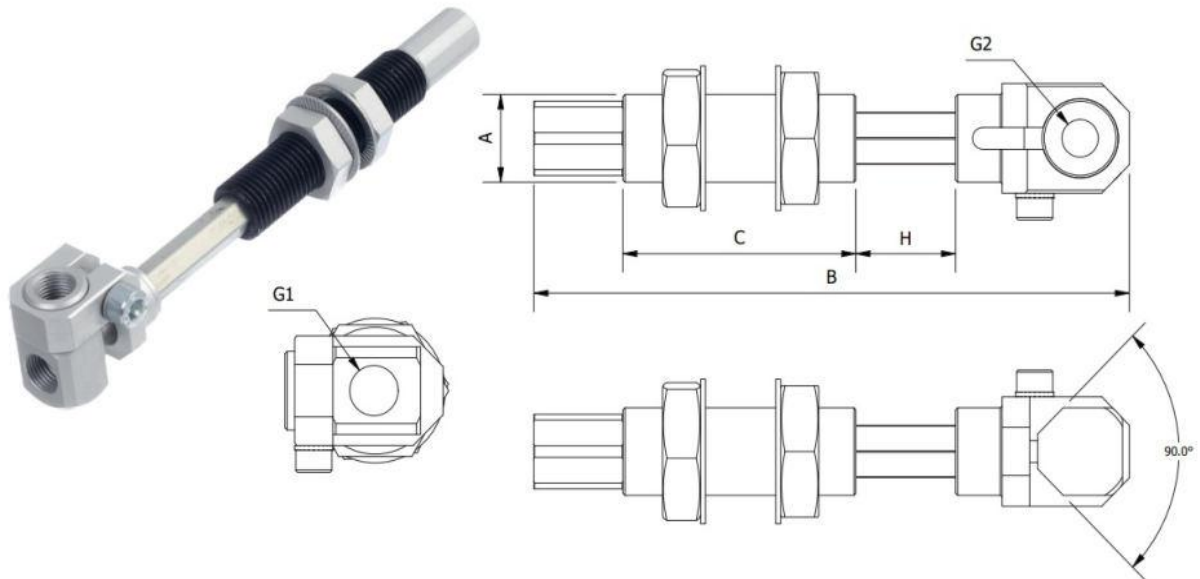


SUSPENSIONS FOR VACUUM CUPS

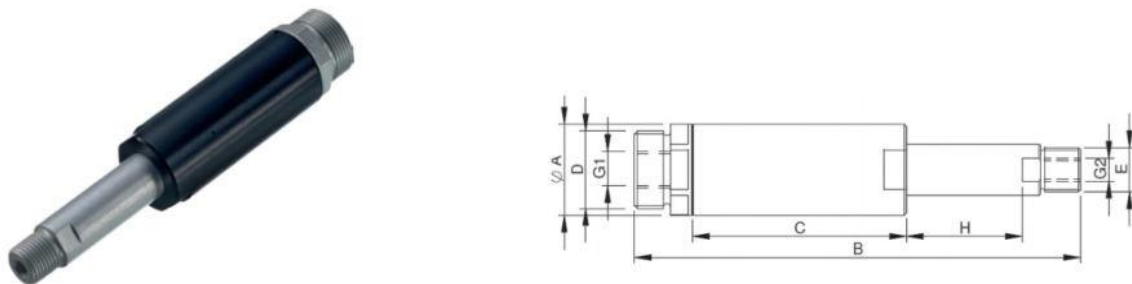
MP.SSNG. – Telescopic Suspension Threaded Body (Non-rotative) Swivel Head



Part No.	A	B	C	G1	G2	H	F(N)	Weight (g)
MP.SSNG.10100505	M10x1	78	26	M5	M5	10	3,6	13
MP.SSNG.10250505	M10x1	108	41	M5	M5	25	3,7	16
MP.SSNG.14201818	M14x1.5	116	42	G1/8	G1/8	20	8,9	36
MP.SSNG.14351818	M14x1.5	148	60	G1/8	G1/8	35	9,5	42
MP.SSNG.20251418	M20x1.5	140	55	G1/4	G1/8	25	11	96
MP.SSNG.20501418	M20x1.5	193	82	G1/4	G1/8	50	11,4	115
MP.SSNG.20251818	M20x1.5	140	55	G1/8	G1/8	25	11	92
MP.SSNG.20501818	M20x1.5	193	82	G1/8	G1/8	50	11,4	111

Body and rod made of aluminium - anodized.
 Angle of vacuum cup adjustable between 0° and 90°.
 Non Rotative.

MPTSS – Telescopic Self-Retracting Suspension



Part No.	A	B	C	D	E	G1	G2	H	F(N)	Weight (g)
MPTSS2025	20	100	48	M17x1	G1/8	G1/8	M5	25	3,6	42
MPTSS2050	20	150	73	M17x1	G1/8	G1/8	M5	50	4,2	68

Automatic retraction of vacuum cup once vacuum is established.
 Reset on part release.