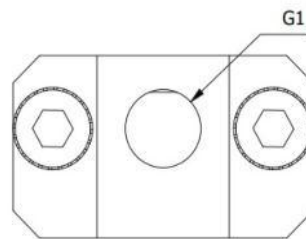
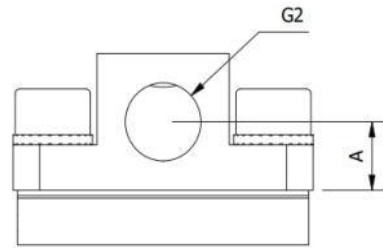


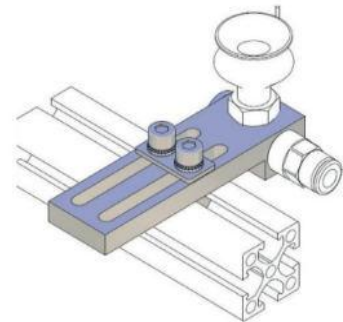
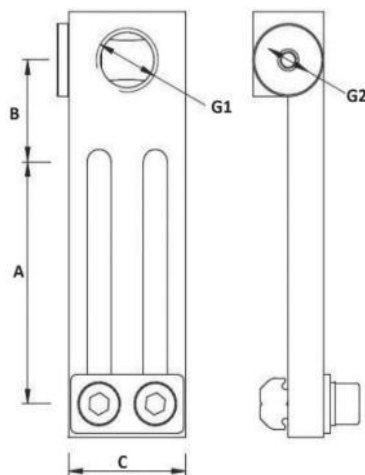
**VMB. – Vacuum Cup Mounting Bracket**



Part No.	A	G1	G2	Weight (g)
VMB.0505.X	4	M5	M5	27
VMB.1818.X	7,5	G1/8	G1/8	35
VMB.1414.X	10	G1/4	G1/4	39

Vacuum connection for use where space is limited.

**VML. – Vacuum Cup Mounting Bracket - Long**



Part No.	A	B	C	G1	G2	Weight (g)
VML.0505.40.L	40	14	16	M5	M5	24
VML.1818.50.X	50	21	25	G1/8	G1/8	65
VML.1418.50.X	50	21	25	G1/4	G1/8	65
VML.1414.50.J	50	23	25	G1/4	G1/4	73

Allows inline adjustment of vacuum cup position.