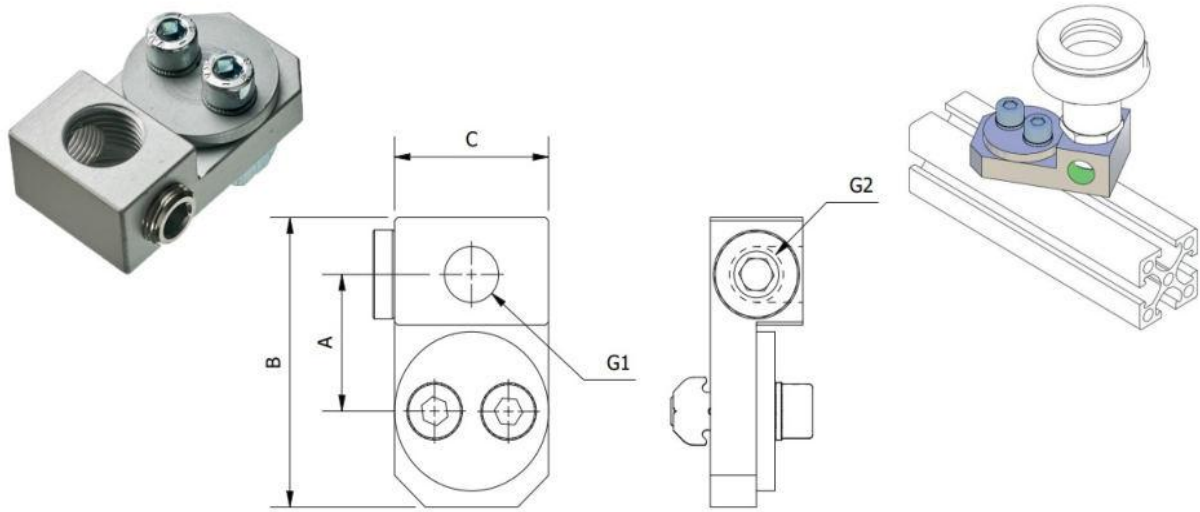


RIGID VACUUM CUP MOUNTS

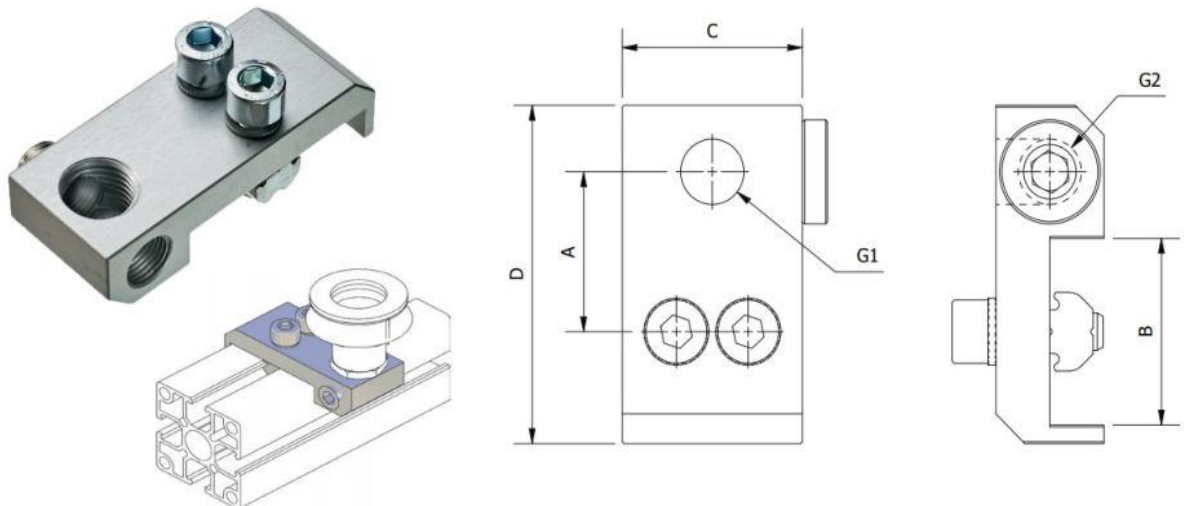
VMA. – Vacuum Cup Mounting Bracket - Adjustable



Part No.	A	B	C	G1	G2	Weight (g)
VMA.0505.L	14	28	16	M5	M5	19
VMA.1818.X	21	46	25	G1/8	G1/8	44
VMA.1418.X	21	46	25	G1/4	G1/8	44

Vacuum connection with adjustable 360° rotation.

VMF. – Vacuum Cup Mounting Bracket - Fixed



Part No.	A	B	C	D	G1	G2	Weight (g)
VMF.0505.L	17	18	16	32	M5	M5	18
VMF.1818.X	22	25	25	46	G1/8	G1/8	46
VMF.1418.X	22	25	25	46	G1/4	G1/8	49
VMF.1418.J	29	40	25	60	G1/4	G1/8	

Vacuum connection for use where space is limited.