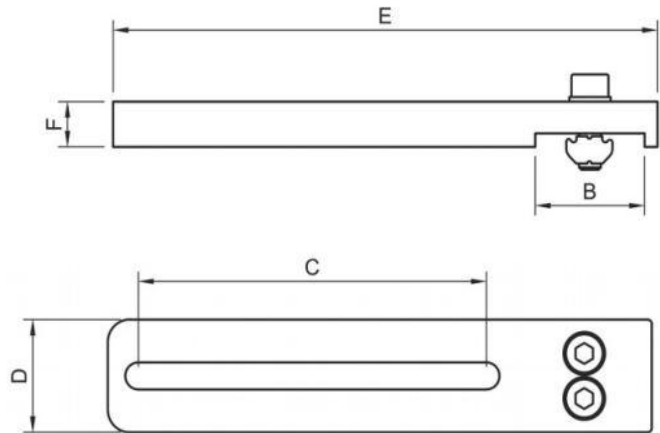


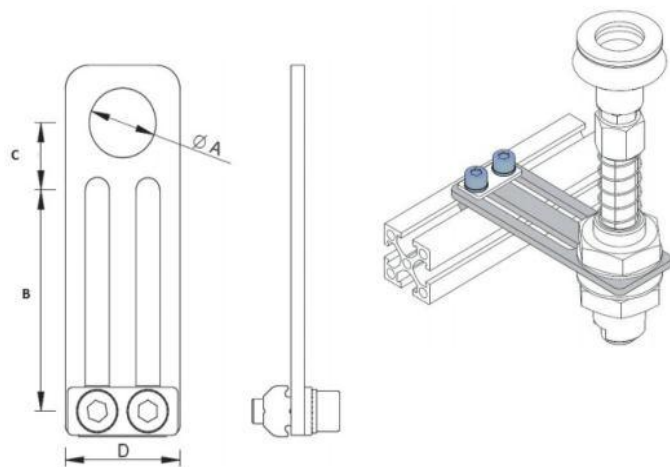
MPW. – Clamp Extension Arm



Part No.	A	B	C	D	E	F	Weight (g)
MPW.1818.X		18	80	20	118	10	62
MPW.2580.X		25	80	25	125	10	81
MPW.4080.X		40	80	25	140	10	88

Material: Aluminium
 MPW extension arms allow for greater flexibility in the mounting of clamps.
 Reduces the amount of hardware required, saving weight and cost.
 Kit with screws

MB.04. – Mounting Bracket



Part No.	A	B	C	D	Weight (g)
MB.04.20.10.X	10	40	11	20	35 g
MB.04.20.14.X	14	46	14	25	45 g

Material: Aluminum.
 Surface: Silver anodized.