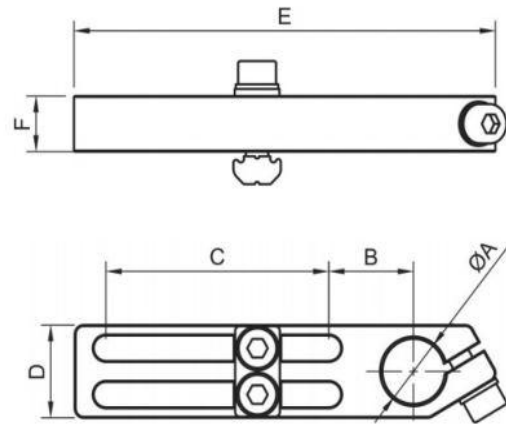


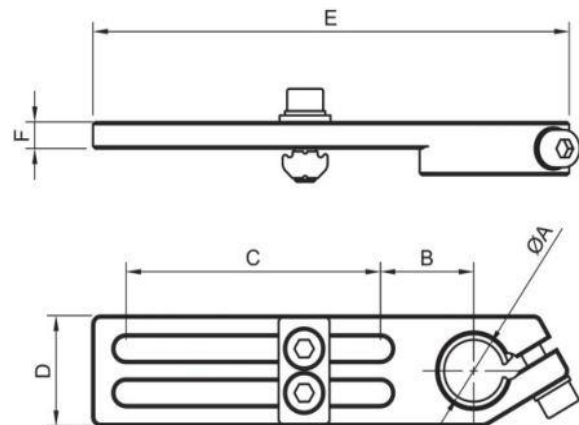
ACLH. – Long Angle Clamp - Heavy Duty



Part No.	A	B	C	D	E	F	Weight (g)
ACLH.1040.X	10	16,5	40	16	76	8	30
ACLH.1450.X	14	19	50	20	95	12	57
ACLH.2060.X	20	22	60	25	112	15	90
ACLH.2070.X	20	22	70	28	123	15	112
ACLH.3070.J	30	28,5	70	35	136	20	185

Material: Aluminium.
 ACLH Heavy duty clamps allow for mounting flexibility with higher loads.
 Kit with screws.

ACLB. – Long Angle Clamp With Ball Joint



Part No.	A	B	C	D	E	F	Weight (g)
ACLB.1050.X	10	19	50	20	95	6	56
ACLB.1460.X	14	22	60	25	112	6	66
ACLB.2060.X	20	28,5	60	35	127	10	166

Material: Aluminium.
 ACLB clamps feature an integrated ball joint for rotational adjustment.
 Kit with screws.