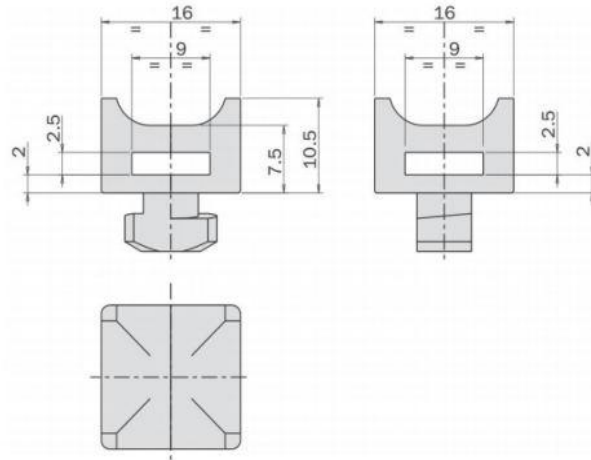


**PROFILE & CHANNEL NUTS**

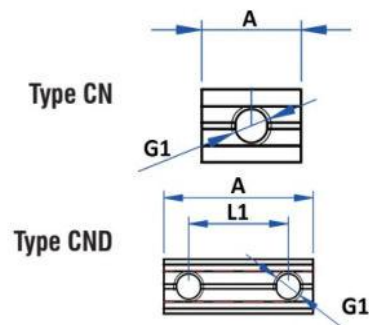
**CTK – Cable Tie**



Part No.	Weight (g)
CTK.01X	20g

Twist on cable saddle for clean pneumatic/electrical cable management.

**CN – Channel Nut for Profiles**



Part No.	G1	A	L1	Weight (g)
CN-M3	M3	15		6
CN-M4	M4	15		6
CN-M4-16	M4	24	16	9
CN-M5	M5	15		5
CN-M5-20	M5	30	20	11
CN-M6	M6	15		5
CN-M6-20	M6	30	20	11

Suitable for L, X and J line of profiles.