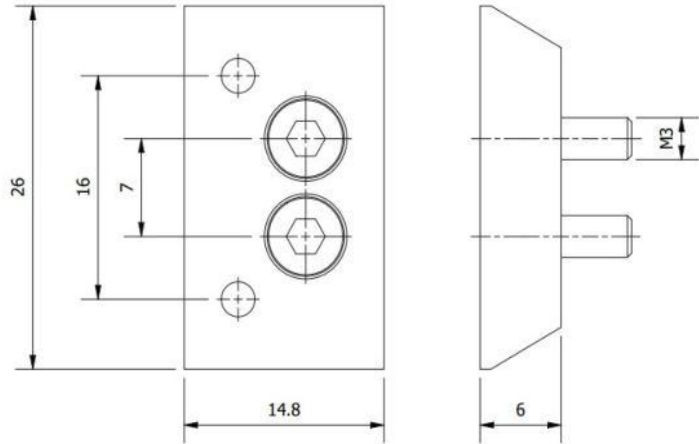


**ROUND QUICK CHANGER SYSTEM**

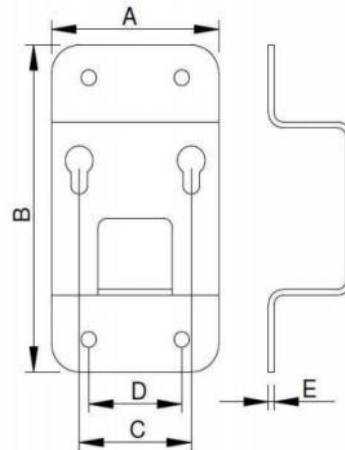
**QC.MB – Electrical Connector Spacer**



Part No.	Weight (g)
QC.MB.S	6

For wall mounted storage of EOAT's.

**MGSB – Wall Mount for Quick Changer**



Part No.	A	REF	Weight (g)
MGSB-050	50	MGS-50	125
MGSB-090	90	MGS-90	440
MGSB-150	150	MGS-150/160	926
MGSB-200	200	MGS-200	1178

Included mounting screws.