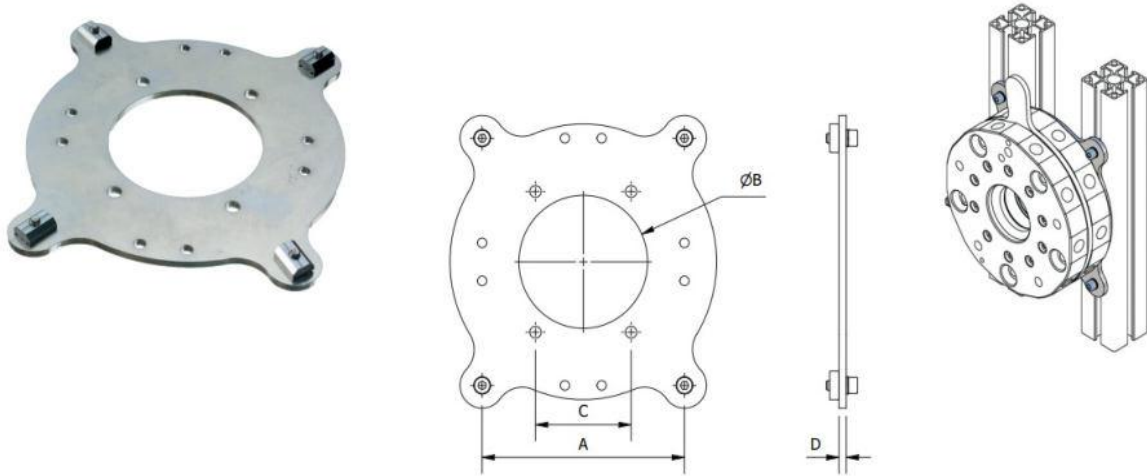


**MGSI – Interface for Quick Changer**



Part No.	A	B	C	D	Reference	Weight (g)
MGSI-50	25	32	15	3	MGS-50	63
MGSI-90	76	37	35	3	MGS-90	170
MGSI-150	110	70	52	4	MGS-150/MGS-160	497
MGSI-200	192	140	151,6	8	MGS-200	1439

Interface to mount EOAT quick changers to profiles.  
Fastening set included.

**QC.M.E – Electrical Connectors**



Part No.	I/O connection type	Working Current	Break down voltage	Temperature range	Contact	Max conductor cross section	Max cable outer dia	Weight (g)
QC.MR.ES	15 pin	0,5	0 ÷ 250 Vac	-55°C, +105°C	Gold plated	AWG28	7 mm	50
QC.MG.ES	15 pin	0,5	0 ÷ 250 Vac	-55°C, +105°C	Gold plated	AWG28	7 mm	50
QC.MR.E	15 pin	3A	0 ÷ 250 Vac	-55°C, +105°C	Gold plated	AWG28	7 mm	50
QC.MG.E	15 pin	3A	0 ÷ 250 Vac	-55°C, +105°C	Gold plated	AWG28	7 mm	50

Springs assist in maintaining connections.  
Spring contact design, minimises potential contact damage.  
Self-aligning.