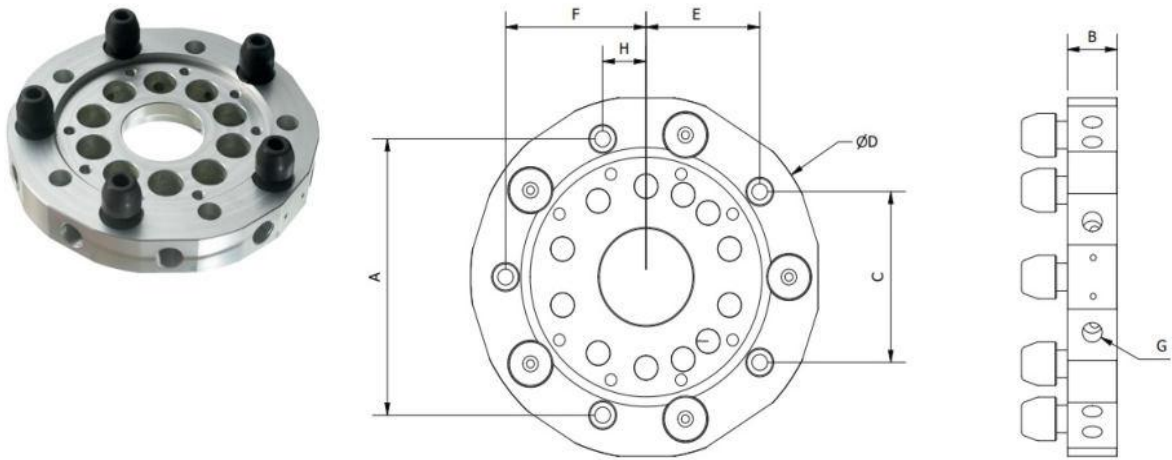


**ROUND QUICK CHANGER SYSTEM**

**MGS – Quick Changer Gripper Side**



Part No.	D	A	C	E	F	H	G	B	Weight (g)
MGS-50	50	-	-	-	-	-	M5 (4x)	15,3	63
MGS-90	90	-	-	-	-	-	G1/8 (8x)	15,9	227
MGS-150	150	114,13	70,53	48,54	60	18,54	G1/4 (10x)	21,2	827
MGS-160	160	114,13	70,53	48,54	60	18,54	G1/8 (12X)	21,2	900
MGS-200	200	175	87,5	75,8	75,8	25	G1/4(12X)	25	1798

Quick changer for easy placement and correct alignment of EOAT on the robot.  
 Avoids mistakes in pneumatic/electrical connections.  
 Available with 4, 8, 10 or 12 pneumatic ports.