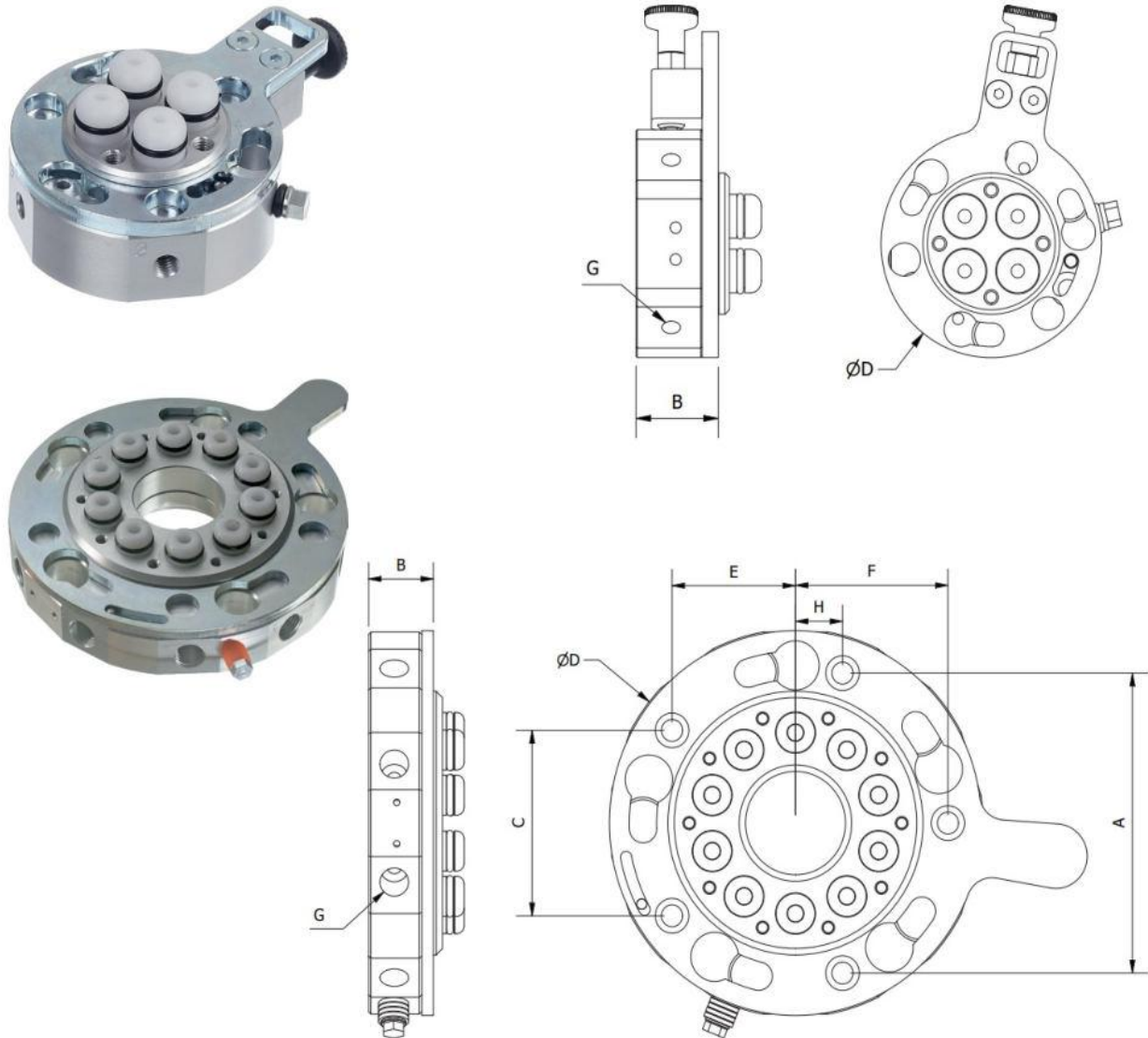


**MRS – Quick Changer Robot Side**



Part No.	D	A	C	E	F	H	G	B	Weight (g)
MRS-50	50	-	-	-	-	-	M5 (4x)	18,68	108
MRS-90	90	-	53,6	22,5	35	-	G1/8 (8x)	18,3	318
MRS-150	150	116,03	71,7	49,35	61	18,85	G1/4 (10x)	25,95	1158
MRS-160	160	116,03	71,7	49,35	61	18,85	G1/8 (12X)	25,95	1213
MRS-200	200	175	87,5	75,8	75,8	25	G1/4(12X)	30,6	2409

Quick changer for easy placement and correct alignment of EOAT on the robot.  
 Avoids mistakes in pneumatic/electrical connections.  
 Available with 4, 8, 10 or 12 pneumatic ports.