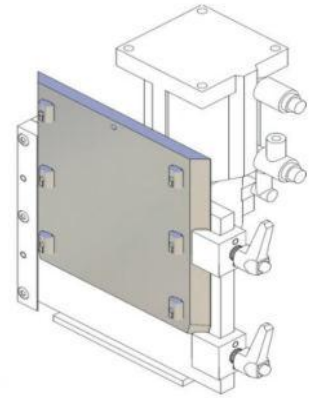
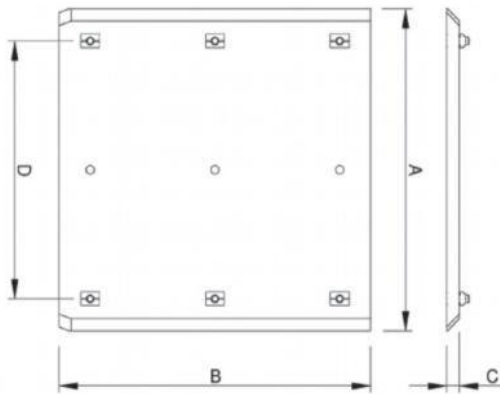


DOVETAIL PLATE QUICK CHANGE SYSTEM

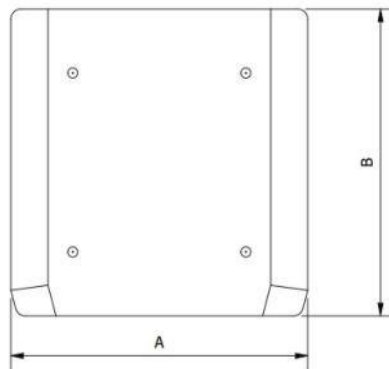
QC-SSW – EOAT Base Plate



Part No.	A	B	C	D	Weight (g)
QC-SSW-60	60	60	8	35	93
QC-SSW-100	100	100	8	70	242
QC-SSW-160	160	160	10	120	695
QC-SSW-250	250	250	10	200	1641

Material: Aluminium.
Surface: Silver anodized.

QC-SSW – EOAT Base Plate



Part No.	A	B	C	Weight (g)
QC-SSW-060-CP	60	60	8	69
QC-SSW-100-CP	100	100	8	201
QC-SSW-160-CP	160	160	10	653
QC-SSW-250-CP	250	250	10	1613

Material: Aluminium.
Surface: Silver anodized.