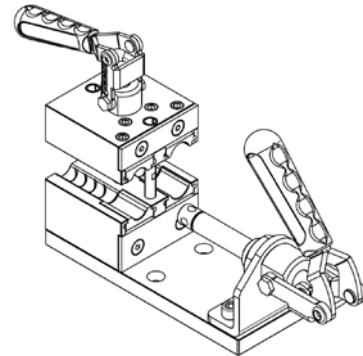


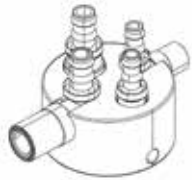



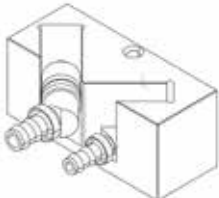
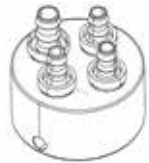
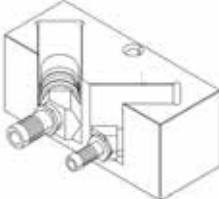
**Base Tool**



Part No.	Hose range (ID)	Weight KG
HAT-5000	10-13 mm. (3/8" - 1/2")	3,3

Assembly tool ideal for Push-On fittings and standard hose tail couplers, to be perfectly assembled - quick and easy.  
Adaptors available for all hoesetail fittings and couplers.

**Adapters for Hose Assembly Tool**

Part No.	Reference	Image	Part No.	Reference	Image
HAT-01	Series 09/13 European Series 20/30 International		HAT-05	Series 08/12 French	
HAT-02	Safety - Ts Series 09/13 European Series 20/30 International		HAT-06	Series Mc.. Multi-Couplers	
HAT-03	45° Series 09/13 European Series 20/30 International		HAT-07	Threaded Hose Nipples G1/8" - G1/4" - G3/8" - M10 - M14	
HAT-04	45° Safety - Ts Series 09/13 European Series 20/30 International		HAT-08	Plain Insert For Custom Recess	