

# LARGE FLOW COUPLINGS

Nominal Diameter

# 75 / 85 / 95 / 105

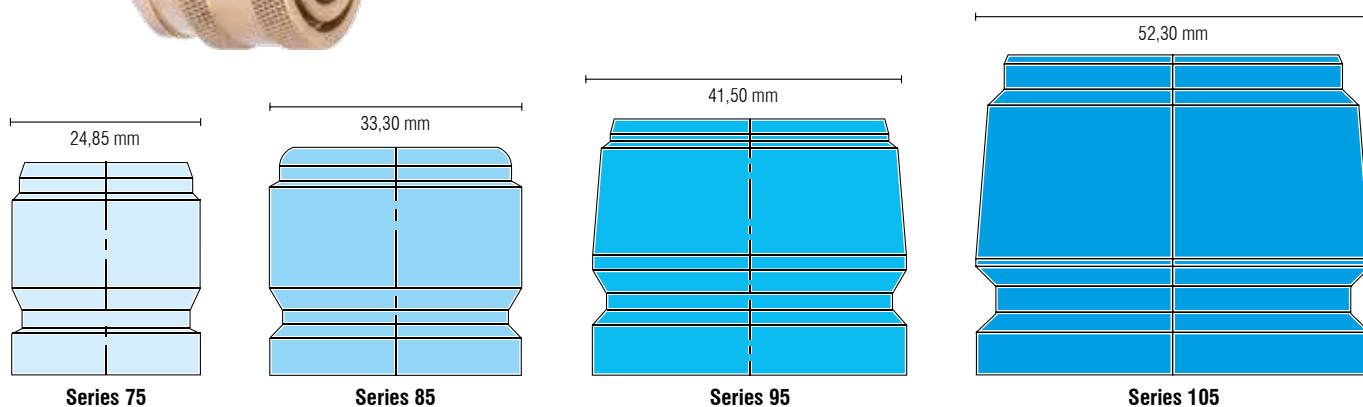
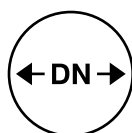


Illustration scale 1:1

Series	Nominal Diameter (DN)
75	18,0 mm
85	23,8 mm
95	30,3 mm.
105	36,5 mm.



## Technical Description

Coupling series especially developed for connecting feed lines on Manifolds.

Temperature control units or chiller cooling lines.

The Couplings offer maximum flow capacity.

## Material

Coupling		Plug
Back Body	Brass	Brass
Valve Body	Brass	
Sleeve	Brass	
Locking Balls	AISI 420	
Spring	AISI 301	
Seal	FKM	

## Working Pressure

15 bar, maximum static working pressure with safety factor of 4 to 1.

## Working Temperature

Water -15°C up to +140°C  
 Oil -15°C up to +180°C