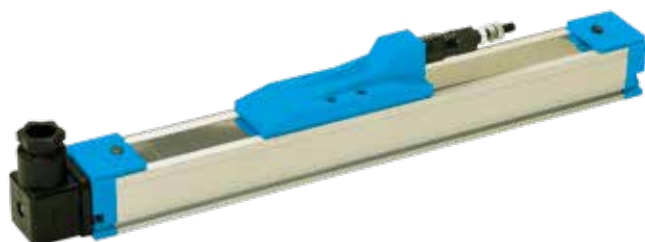


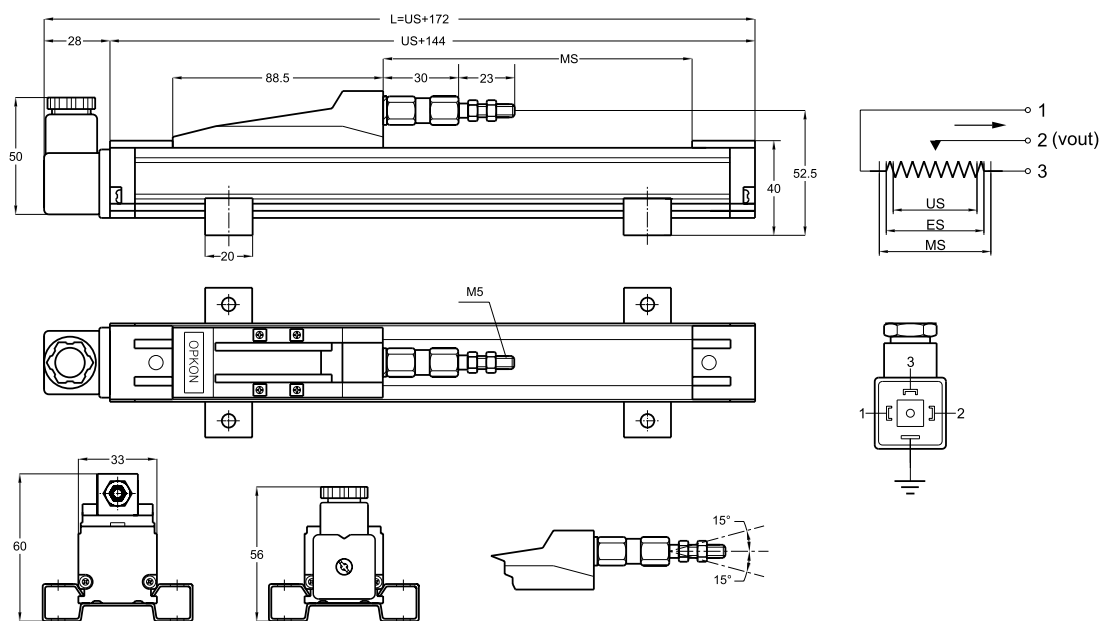
LINEAR TRANSDUCERS

Transducer without Rod



Technical data

| | |
|-----------------------------|-------------------------------------|
| Measurement Stroke | 100 to 1500 mm |
| Linearity | ± %0,05 |
| Repeatability | < 0,01 mm |
| Resolution | Infinite |
| Resistance | 5 kOhm |
| Resistance Tolerance | ±%20 |
| Load Resistance | 100 kOhm min. |
| Recommended Cursor Current | < 1 μA |
| Permissible Applied Voltage | 28VDC max. |
| Electrical Connections | 4 pole hydraulic type connector |
| Displacement Speed | <1,5 m/s |
| Mechanical Life | 100 million cycles |
| Case Dimensions | 33 mm x 33 mm |
| Case Material | Anodized aluminium |
| Mechanical Fixing | Variable brackets |
| IP Degree | IP 40 /If mounted upside down IP 53 |
| Operating Temperature | -20°C ... +80°C |
| Storage Temperature | -30°C ... +90°C |



| Part No. | US (usefull stroke) | MS (Mechanical stroke) | L (total length) | |
|----------|---------------------|------------------------|------------------|---|
| MPH150 | 150 | 154 | 322 | 1 |
| MPH200 | 200 | 204 | 372 | 1 |
| MPH225 | 225 | 229 | 397 | 1 |
| MPH300 | 300 | 304 | 472 | 1 |
| MPH400 | 400 | 404 | 572 | 1 |
| MPH500 | 500 | 504 | 672 | 1 |