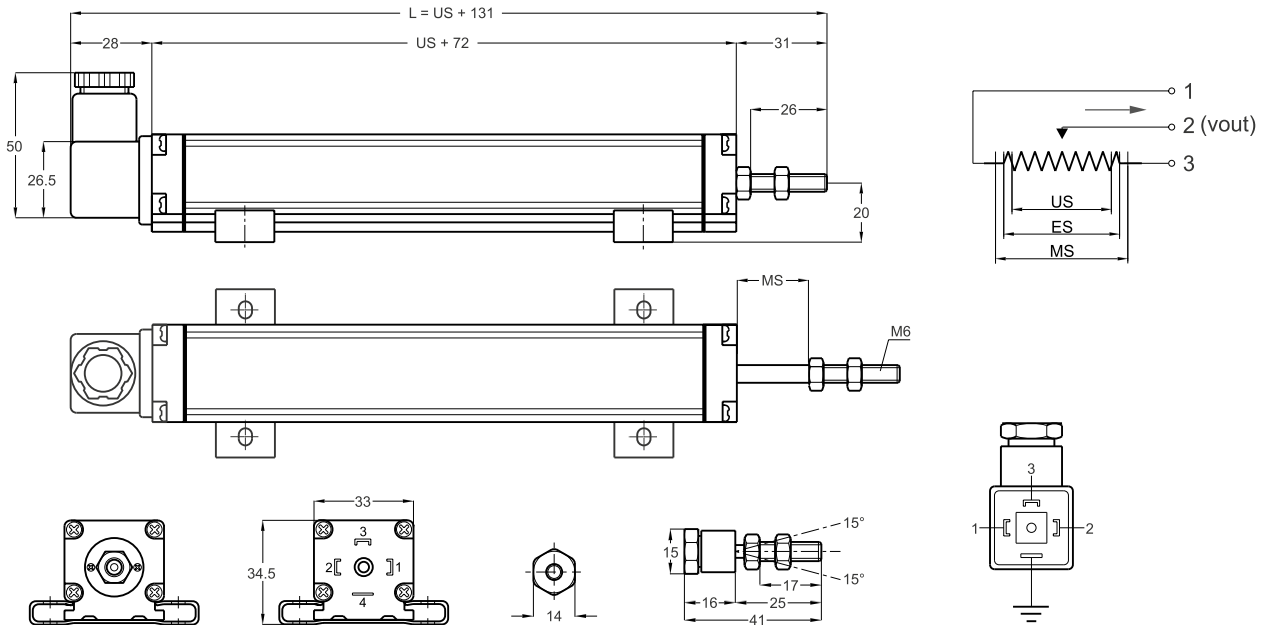


Transducer with Rod



Technical data

| | |
|-----------------------------|---------------------------------|
| Measurement Stroke | 30 to 1250 mm |
| Linearity | ± %0,05 |
| Repeatability | < 0,01 mm |
| Resolution | Infinite |
| Resistance | 5 kOhm |
| Resistance Tolerance | ±%20 |
| Load Resistance | 100 kOhm min. |
| Recommended Cursor Current | < 1 μA |
| Permissible Applied Voltage | 28VDC max. |
| Electrical Connections | 4 pole hydraulic type connector |
| Displacement Speed | <5 m/s |
| Mechanical Life | 100 million cycles |
| Case Dimensions | 33 mm x 33 mm |
| Case Material | Anodized aluminium |
| Rod Material | Stainless Steel |
| Rod Diameter | Ø 6 mm |
| Mechanical Fixing | Variable brackets |
| IP Degree | IP 65 |
| Operating Temperature | -20°C ... +80°C |
| Storage Temperature | -30°C ... +90°C |



| Part No. | US (usefull stroke) | MS (Mechanical stroke) | L (total length) | |
|----------|---------------------|------------------------|------------------|---|
| MPT100 | 100 | 103 | 231 | 1 |
| MPT150 | 150 | 153 | 281 | 1 |
| MPT175 | 175 | 178 | 306 | 1 |
| MPT200 | 200 | 203 | 331 | 1 |
| MPT300 | 300 | 303 | 431 | 1 |
| MPT400 | 400 | 403 | 531 | 1 |
| MPT500 | 500 | 503 | 631 | 1 |