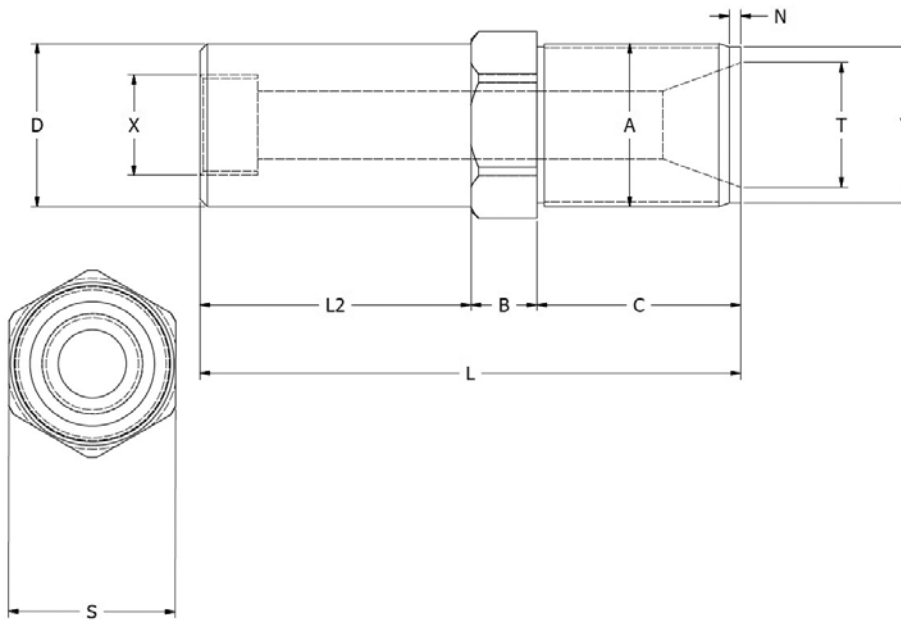


REMOVABLE NOZZLE TIPS

ORDER FORM

Nozzle Body



L	L2	B	C	D	X	T	Y	A	N	S

Metric only (mm)

Machine/Model _____

Company _____

Contact _____

Telephone _____

Contact e-mail _____