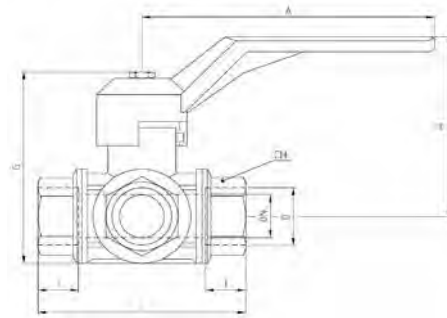


3 Way Ball Valve - Female (L-Type)



Part No.	D	DN	I	L	G	A	H	CH
V3F04R	1/4"	10	19	77	75	125	65	22
V3F06R	3/8"	12	19	77	75	125	65	22
V3F08R	1/2"	14	19	77	75	125	65	27
V3F12R	3/4"	18	23	92	91	145	83	34
V3F16R	1"	23	25	104	105	170	96	41
V3F20R	1.1/4"	29	27	118	115	170	102	50
V3F24R	1.1/2"	36	31	138	128	170	109	57

Quality:

- Chrome plated brass ball for longer life.
- UNI 8858 cycle and torque test performed.

Body:

- Hot forged sand blasted nickel plated body and caps.
- 3 Way Lever design allows complete range of flow handling applications.
- Copper alloy brass according to EN 12165 and EN 12164 specifications.

Stem:

- Two NBR O-Rings at the stem for maximum safety .

Seals:

- Four seats design limits mixture among various fluids in the system.
- PTFE seals.

Threads:

- ISO 228 female threads.

Flow:

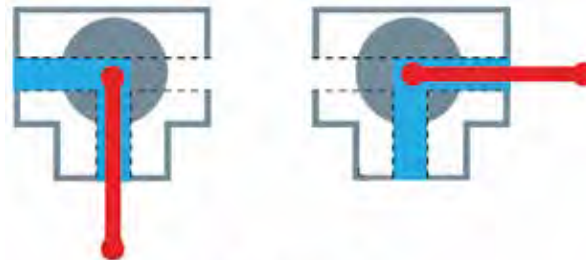
- Full port for lowest pressure drops.

Working pressure:

- 20 Bar.

Working temperature:

- -10°C to + 120°C.



L Type