

# LARGE FLOW COUPLINGS

Nominal Diameter

# 75 / 85 / 95 / 105

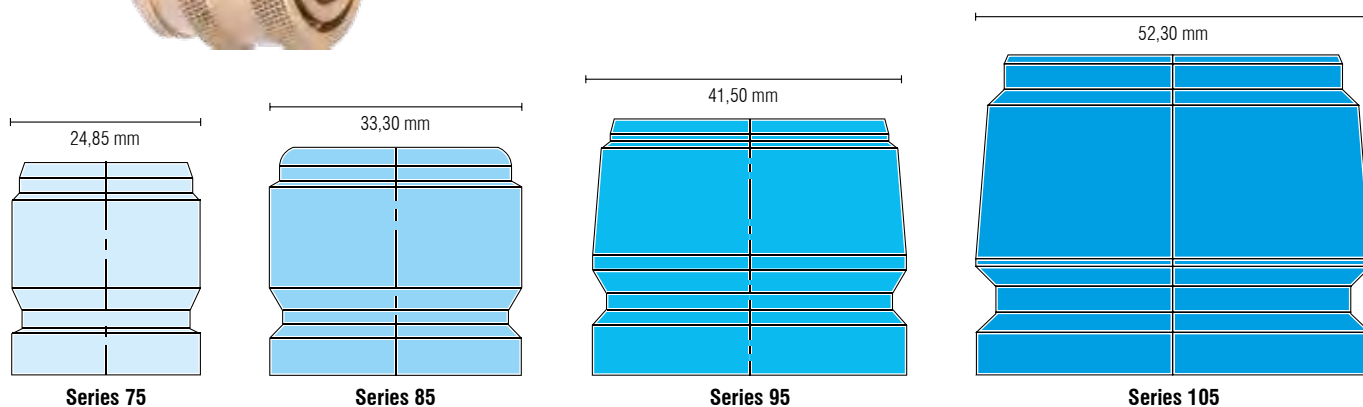
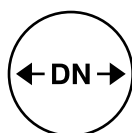


Illustration scale 1:1

Series	Nominal Flow (DN)
75	18,0 mm
85	23,8 mm
95	30,3 mm.
105	36,5 mm.



## Technical Description

Coupling series especially developed for connecting feed lines on Manifolds.

Temperature control units or chiller cooling lines.

The Couplings offer maximum flow capacity.

## Material

<b>Coupling</b>	
Back Body	Brass
Valve Body	Brass
Sleeve	Brass
Locking Balls	AISI 420
Spring	AISI 301
Seal	FKM

## Plug

Brass

## Working Pressure

15 bar, maximum static working pressure with safety factor of 4 to 1.

## Working Temperature

Water -15°C up to +140°C

Oil -15°C up to +180°C