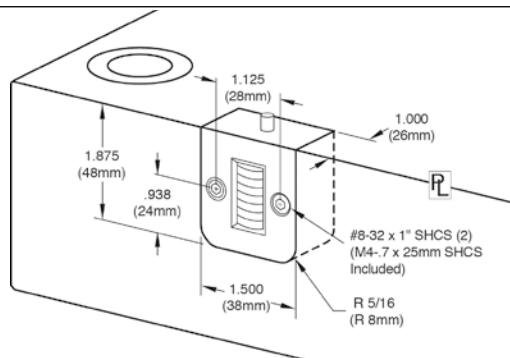


MOULD CYCLE COUNTER

Mould Cycle Counter



Part No.	# Digit	Colour	Temp. range
CC200	7	Black	120° C

Mouldpro Cycle Counter positively monitors mould activity, validates process monitoring data, and assists mould maintenance procedures.

- Maximum operating temperature is 120° C.
- Counter: Non-resettable mechanical, 7-digit.
- Glass-filled Nylon housing.
- Reliable and tested quality.
- Specified worldwide by leading OEM's.
- Supplied with serial Number.
- Socket head cap screws are included.