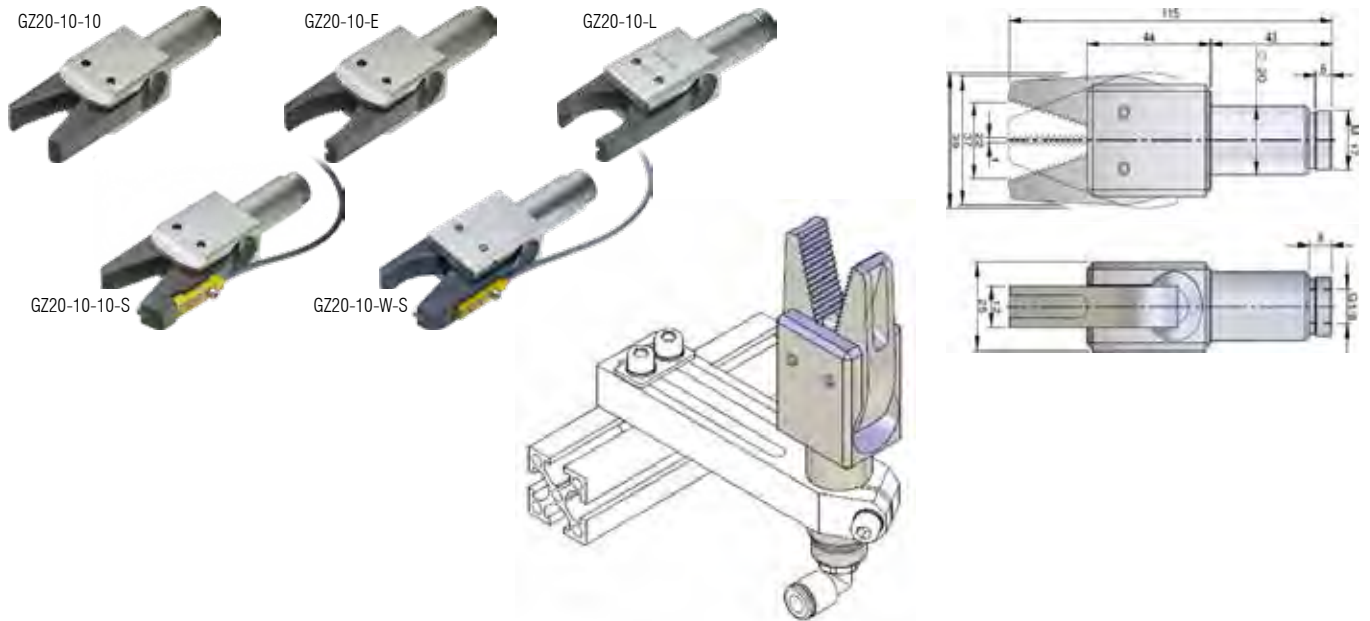


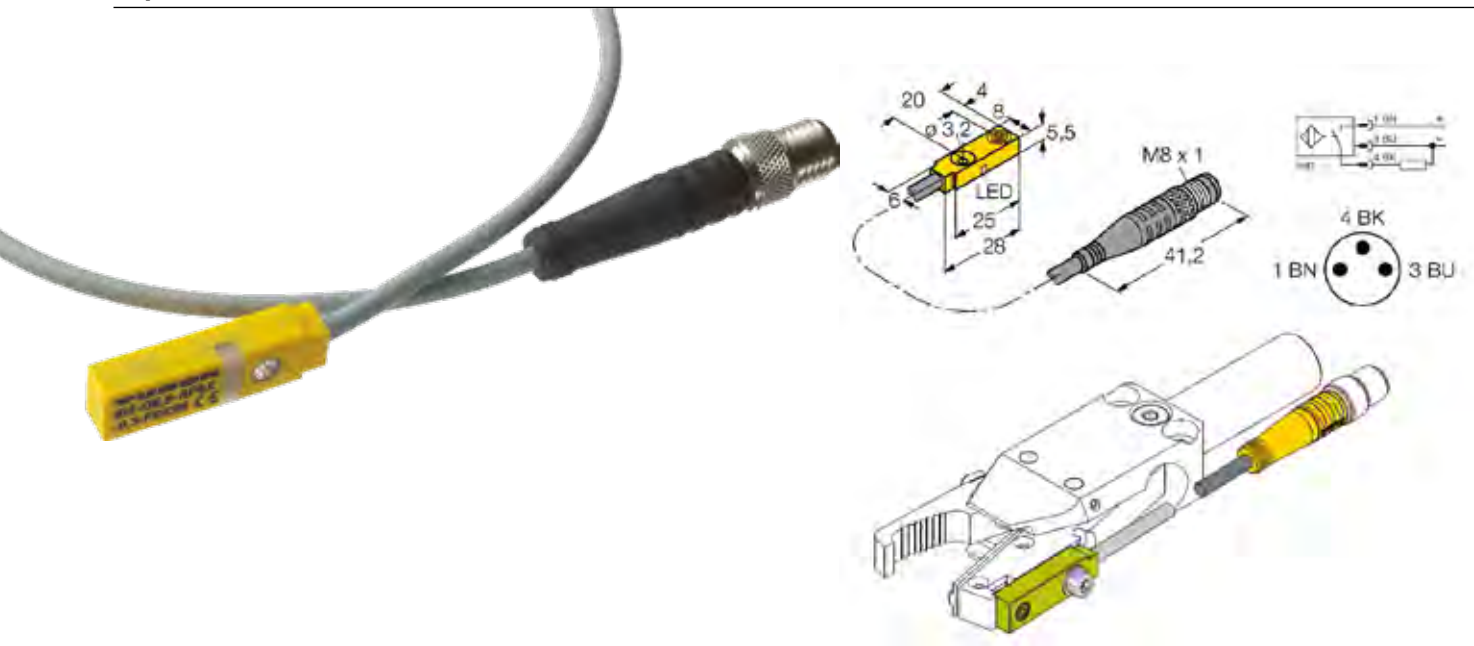
**Sprue Grippers GZ20**



Part No.	Jaw Type	Sensor Type	Grip Force (6 bar)	Weight (g)
GZ20-10-10	Standard Cut		90 N	121
GZ20-10-10-S	Standard Cut	PNP (M8)	90 N	127
GZ20-10-E	Curved - Standard cut		90 N	85
GZ20-10-W-S	Curved / Straight std. Cut	PNP (M8)	90 N	107
GZ20-10-L	Curved - Smooth		90 N	85

Work principle: Single acting.  
 Working pressure: 6 bar clean and dry air.  
 Material: Jaws made of hard-coated Aluminium. Body made of anodized Aluminium.

**Replacement Sensors**



Part No.	Type	Cable length	Connection
GZ20-SM8-PNP	PNP	300	M8
GZ20-SM8-NPN	NPN	300	M8