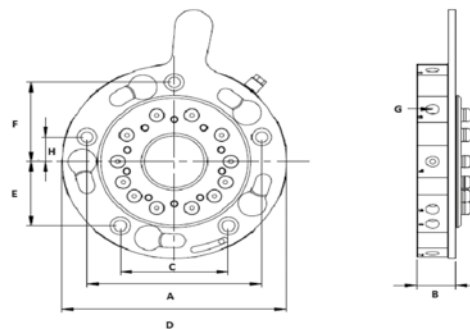


QUICK CHANGERS

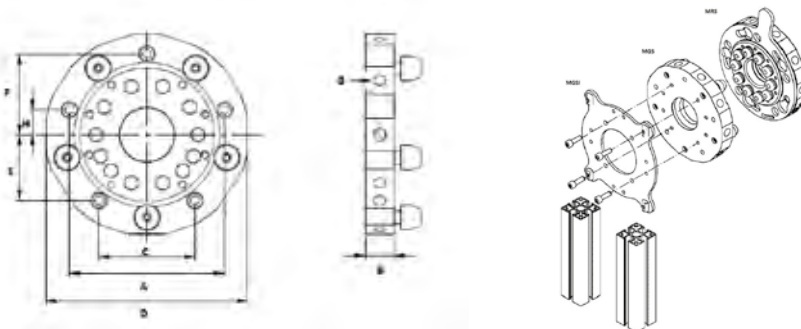
Quick Changer Robot Side



Part No.	D	A	C	E	F	H	G	B	Weight
MRS-90	90	-	53,6	22,5	35	-	G1/8 (8x)	18,3	318 g.
MRS-150	150	116,03	71,7	49,35	61	18,85	G1/4 (10x)	25,95	1123 g.
MRS-160	160	116,03	71,7	49,35	61	18,85	G1/8 (12X)	25,95	1200 g.
MRS-200	200	175	87,5	75,8	75,8	25	G1/4(12X)	30,6	2496 g.

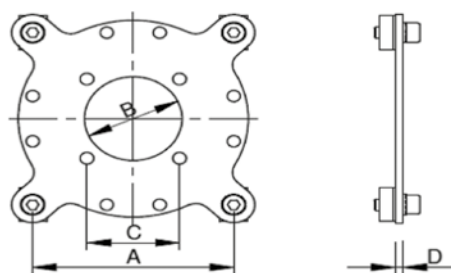
- Quick changer for easy replacement of EOAT on the robot.
- Suitable for vacuum connectors as well.
- Avoids mistakes in pneumatic/electrical connections.
- Available with 8, 10 or 12 pneumatic interface.
- 15 pins D-SUB electrical interface.
- Robot side and Gripper side part are supplied separately.

Quick Changer Gripper Side



Part No.	D	A	C	E	F	H	G	B	Weight
MGS-90	90	-	-	-	-	-	G1/8 (8x)	15,9	227 g.
MGS-150	150	114,13	70,53	48,54	60	18,54	G1/4 (10x)	21,2	827 g.
MGS-160	160	114,13	70,53	48,54	60	18,54	G1/8 (12X)	21,2	900 g.
MGS-200	200	175	87,5	75,8	75,8	25	G1/4(12X)	25	1798 g.

Interface for Quick Change



Part No.	A	B	C	D	Reference	Weight
MGSI-90	76	37	35	3	MGS-90	174 g
MGSI-150	110	70	52	4	MSG-150/MSG-160	502 g
MGSI-200	192	140	151,6	8	MGS-200	850 g.