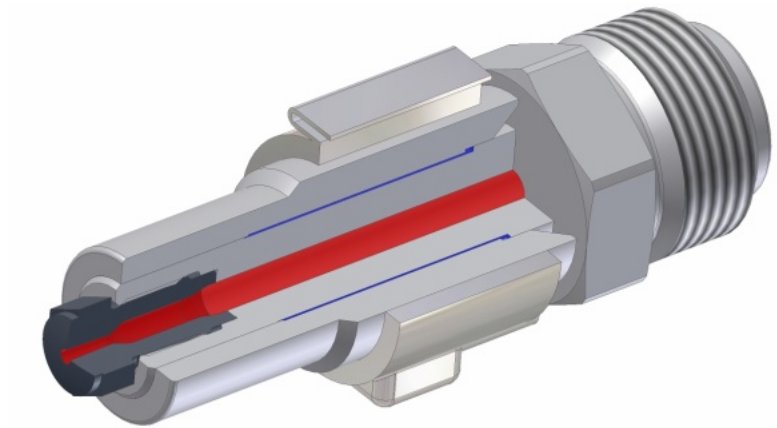


## Machine heat conducting nozzle type W



**Applications:**  
Thermoplastics

**Variants:**  
One-piece heat conducting nozzle or with changeable tip

### Index of contents

Chapter	Page
Technical Description.....	2
Arguments for this nozzle type .....	2
What speaks for Herzog .....	3
Dimension sheet for inquiries or orders .....	4

### Technical description

Heat conducting nozzles are increasingly used in the case of narrow mould recesses. They offer optimum heat distribution as far as the nozzle tip with minimum installation dimensions and do not require any additional heating and thermal sensor in the immersion region.

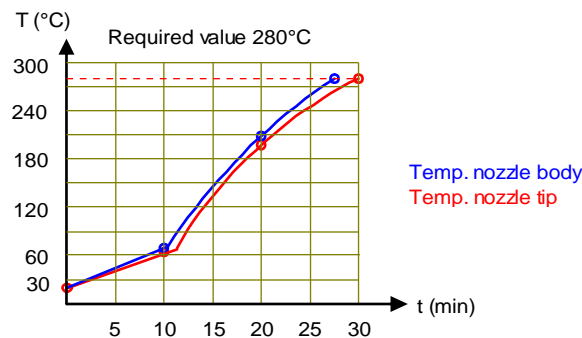
The Herzog® heat conducting nozzle is characterised by its compact design. It can, as required, be employed with integrated head contour or with exchangeable cap. Our heat conducting nozzle offers the customer a favourable alternative to nozzles with cast-in heating or K-ring heating strips.

A sandwich construction conducts the controlled heat introduced from the heating strip practically without loss to the tip of the nozzle. The heat conducting nozzle permits satisfactory melt transport to an immersion depth of 100 mm without additional heating. Practically all thermoplastics, including PVC, can be processed.

The following diagrams illustrate the advantages of the heat conducting nozzle as compared with a standard machine nozzle.

The heating phase of the directly heated body and the nozzle tip are compared in each case. The nozzle tip is at a distance of 100 mm from the heating.

Machine heating phase with herzog® heat conducting nozzle



#### Note:

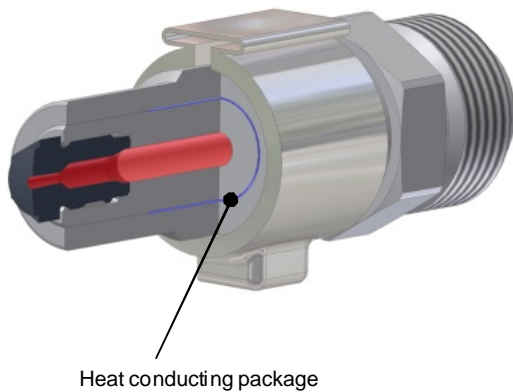
Values and measurements in this documentation refer to standard applications.

### Arguments for this nozzle type

- Gating slug can be reduced through deeper immersion
- Immersion up to 100 mm into the mould
- No additional heating strips in the immersion region
- No additional control stations
- No pressure drop
- Compact design

### What speaks for Herzog

- Nozzle activity is the core business
- Many years market presence
- Design and assemblies matching today's requirements
- Development of special applications
- Fast delivery
- Service performance



<b>Dimension sheet for enquiries</b>		<b>or orders</b>	
--------------------------------------	--	------------------	--

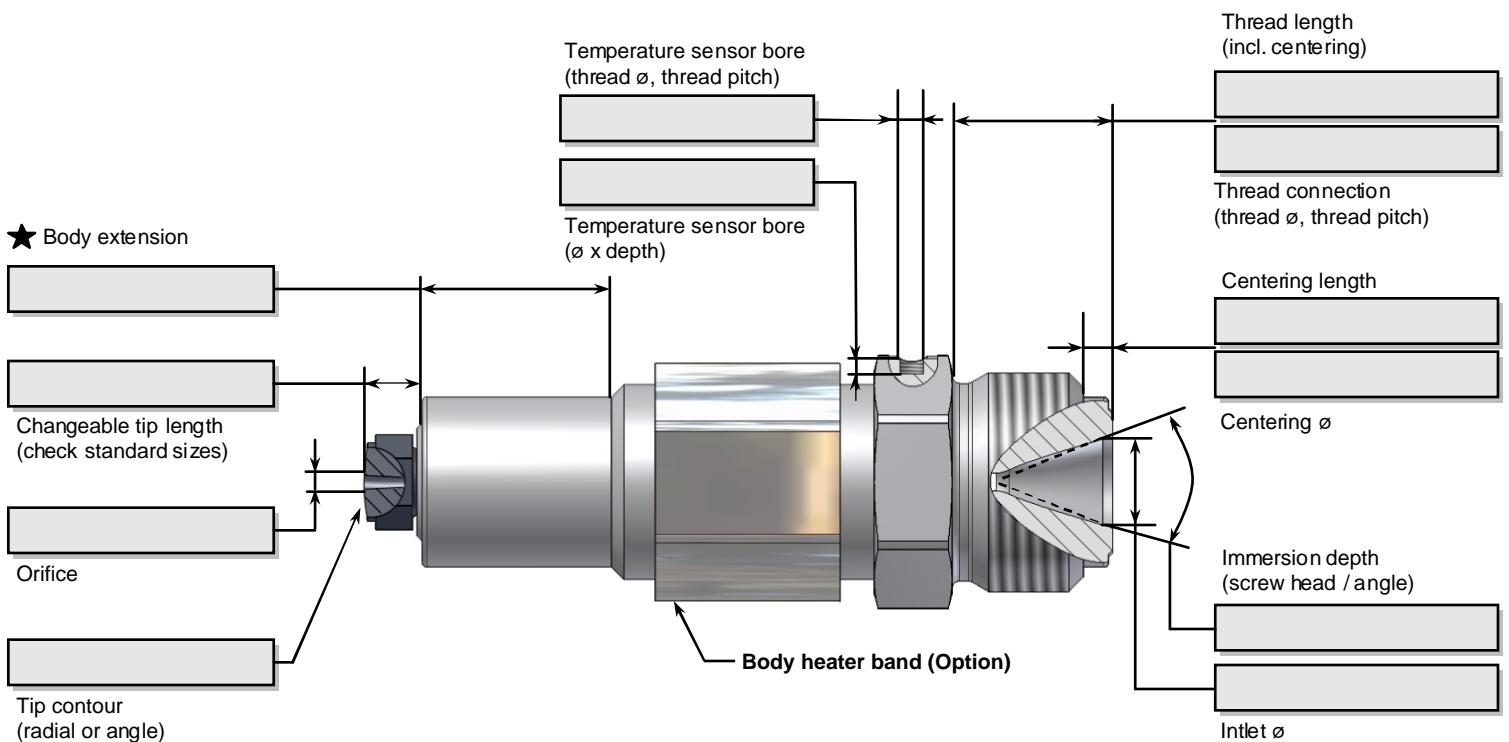
Machine heat conducting nozzle, type W

Company:
Street:
City/Zip:
Country:

Contact person:
Tel.:
Fax:
E-Mail:

Operating data and standard dimensions	One-piece nozzle	Nozzle with changeable tip
max. injection pressure at temperature	2500 bar at 350°C	
standard tip length (other dimensions on request)	-	12 mm
body extension length	60 / 80 / 100 mm	
body extension diameter	ø30	ø40
body length; without <b>thread and tip length</b>	65 mm	70 mm
heater band dimensions (inside ø * max. length)	ø40 x 38 / 300 Watt	

★ Standard dimensions see **Datasheet**  
Measurements in mm



★ Body extension

Changeable tip length (check standard sizes)
Orifice
Tip contour (radial or angle)

Nozzle type:  One-piece     With changeable tip    Machine type (when known):

Options	Yes
Temperature sensor - type J (FeCuNi)	<input type="checkbox"/>
Body heater band	<input type="checkbox"/>
Tip with abrasion protection; recommended above 30% fillers	<input type="checkbox"/>

**Note:**

- Technical modifications reserved.
- We need additional information for requirements, which vary from our standard range e.g. drawing sample. Our customer services will be pleased to help you.